

# PowerView™ Model PV450



## Features

- Compact CAN-based display to fit your application with freely configurable design
- Customize the bezel, buttons, I/O interface and more
- Easy-to-use PowerVision Configuration Studio
- Bonded LCD screen viewable in direct sunlight
- Rugged / Reliable Design
- Endless possibilities

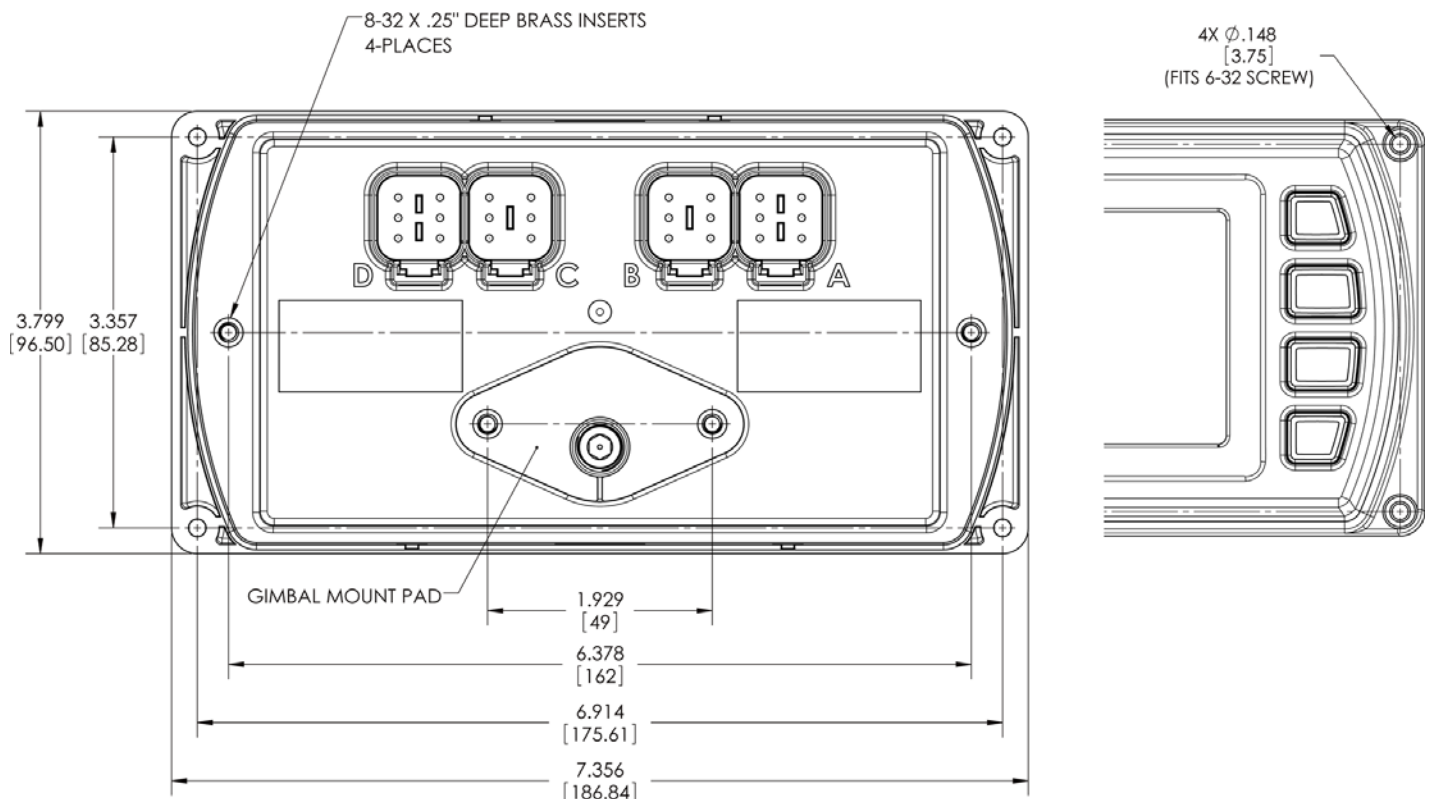
The PowerView 450 display features a freely configurable design. Any of the major components can be custom engineered to meet your exact needs. It's an incredible amount of customization with minimal non-recurring engineering costs.

You can change the shape of the bezel and buttons. You can rework the I/O board to add extra inputs. You can add custom graphics and company branding to the interface.

The PowerView 450 display is compatible with PowerVision™ Configuration Studio, so you can continue to make quick and easy changes to the display.

The PV450 display is also highly durable. See the full specs on the back of this sheet for a full overview of its technical features.

## Dimensions



## Specifications

---

### Technical

**Display:** Bonded 4.3" color transmissive TFT LCD

**Resolution:** WQVGA, 480 x 272 pixels, 16-bit color

**Aspect Ratio:** 16:9

**Orientation:** Landscape or portrait

**Backlighting:** LED, 500-650 cd / m<sup>2</sup> (30,000 hr lifetime)

**Microprocessor:** Freescale iMX35 32bit, 532Mhz

### **QNX Real-Time Operating System**

**Flash Memory:** 256 MB (expandable to 8GB)

**RAM:** 128 Mbytes DDR2 SDRAM

**Operating Voltage:** 6-32 VDC, protected against reverse polarity and load-dump

**Power Consumption:** 10W max

**CAN:** Two CAN 2.0B; optional NMEA 2000 isolation

**RS-485:** 1 MODBUS Master/Slave

**Video input (Optional):** Two NTSC/PAL input channels with one displayed at a time.

**Protocols:** J1939, NMEA 2000, CANopen

**Connection:** 4 Deutsch DT 6-pin connectors

**Keyboard:** 8 tactile buttons

**USB 2.0 host (full speed), optional OTG support**

**Output:** (1) Open-drain, capable of syncing 500 mA

**Input:** (1) Resistive, 0-5 V, or 4-20 mA (software configurable)

**Real-time clock with battery backup**

### Environmental

**Operating Temperature:** -40°C to +85°C

**Storage Temperature:** -40°C to +85°C

**Protection:** IP 66 and 67, front and back.

**Emissions and Immunity:** Electromagnetic Compatibility: 2004/108/EC

EN 61000-6-4

EN 61000-6-2 (immunity)

EN 501121-3-2

EN 12895

J1113/2, 4, 11, 12, 21, 24, 26 and 41

**Vibration:** Random vibration, 7.86 Grms (5-2000 Hz), 3 axis

**Shock:** ± 50G in 3 axis

### Additional Options

LCD Touchscreen (projected capacitance) capability

**Warranty** - A limited warranty on materials and workmanship is given with this FW Murphy product.  
A copy of the warranty may be viewed or printed by going to <http://www.fwmurphy.com/warranty>