

# PVS-5 Power Supply



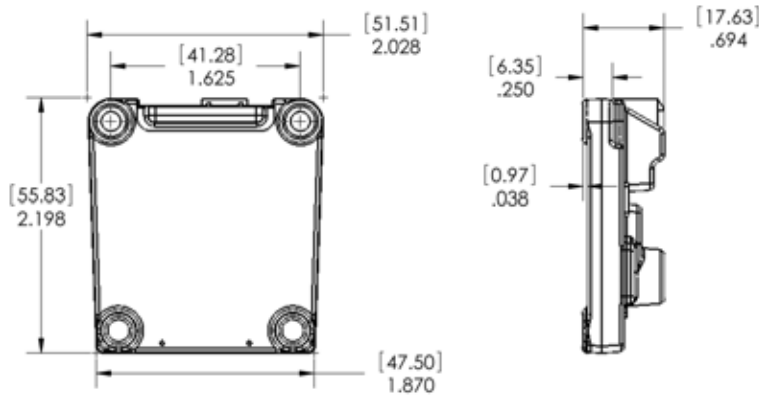
## Features

- Provides 5 Volt power supply to PVM gages
- Capable of supplying power to a maximum of 6 PVM gages
- Enables PVM gage compatibility with existing MurphyLink products

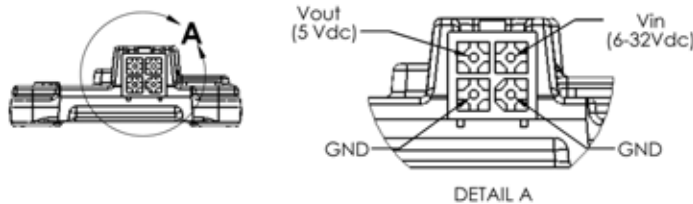
External power is required to make the PVM gage line compatible with existing MurphyLink products, i.e. PV1000, Cascade, iGuard, and eGuard. The PVS-5 power supply device supplies 5 Volts of external power and load dump protection for up to 6 PVM gages. The maximum length of the power and data connection between gages is 0.5 meters (8.5 meters total).

The unit may be installed inside a panel or behind a dash.

## Product Dimensions



## Wiring Diagram



**Mating Connector** - Tyco Electronics AMP Mini Universal Mate-N-Lok Plug Housing 4 Position, AMP P/N 172338-1  
Murphy P/N 00-00-6935

## Specifications

### Input Voltage:

- 6 VDC minimum to 32 VDC maximum
- 12/24 VDC Nominal

**Output Voltage:** 5 VDC @ 450mA maximum

**Reverse Polarity Protection:** -36VDC

**Overvoltage Protection:** +36VDC and above

**Overcurrent Protection:** 600mA @ 36VDA maximum

**Connector:** AMP 1-770968-1

**Operating Temperature:** -40°F to 185°F (-40°C to +85°C)

**Storage Temperature:** -40°F to 221°F (40°C to +105°C)

**Random Vibration:** 5-2,000 Hz

**Operating Shock:** 50G

**Certification:** CE

**Case Material:** Polyamide


**Dimensions:** 2"x2"x.75"

**Mounting Hole Dimensions:** Two #8 screws, 1.625" offset

## How to Order

P/N 78-70-0383 - PVS-5 Power Supply

## Accessories

Model	Wiring harness Rendering	Wiring Harness Designation Schematic	Part Number
<b>PVWM-J</b> PVM Gage Harness		<p style="text-align: center;"><b>PVWM - J - 9</b></p> <div style="display: flex; justify-content: space-between;"> <div style="border: 1px solid black; padding: 5px; width: 20%;">                         PowerView                          Jumper                          Harness                     </div> <div style="border: 1px solid black; padding: 5px; width: 50%;"> <b>Length:</b> <ul style="list-style-type: none"> <li>- 9 : 9 in. (229 mm)</li> <li>- 12 : 12 in. (305 mm)</li> <li>- 24 : 24 in. (607 mm)</li> </ul> </div> </div>	<b>78-00-0479</b> <b>78-00-0490</b> <b>78-00-0503</b>