

PowerView™ - Model PV10 – Diagnostic Display



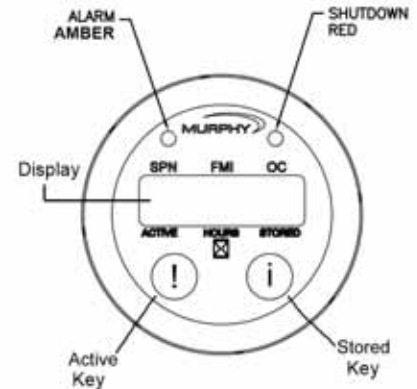
Features

- Display supports electronically controlled engines and equipment applications that use SAE J1939 Controller Area Networks.
- Display Active and Stored diagnostic trouble codes for diagnosing equipment malfunctions.
- Displays Engine Hours, SPN, FMI, and OC information on a graphic display.
- Provides enhanced visual alarm indication using ultra-bright ALARM and SHUTDOWN LEDs (amber and red).
- Simple installatio and connections to the system bus.
- Rugged design for demanding applications includes backlit display and is sunlight viewable.

The PV10 Diagnostic display is a CAN device that receives data from a controller or ECU and then displays Active and Stored Fault messages and Engine Hours.

The default mode provides hourmeter data from the ECU for cumulative engine hours.

The PV10 is equipped with two buttons to quickly select between Active or Stored Faults, a graphic display, two LED to indicate the Active fault's Alarm or Shutdown status in a sealed enclosure that matches the PowerView line of gages.



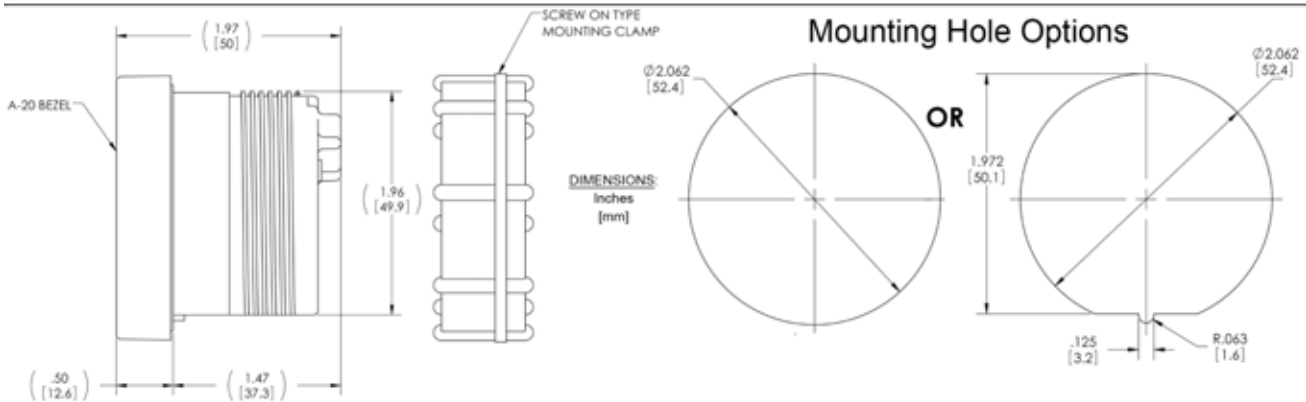
Fault Messages

Fault messages are formatted to display SPN (Suspect Parameter Number), FMI (Failure Mode Indicator) and OC (Occurrence Count) codes that conform to the SAEJ1939 protocol.

Bezel Styles

| AB A-20 Style | A A-20 Style | BB Low Profile SAE Style | DB Low Curved Style |
|------------------|-----------------|-----------------------------|------------------------|
| | | | |
| | | | |

Product Dimensions



Specifications

Operating Voltage

- 6.0 VDC minimum to 36 VDC maximum

Power Supply Operating Current

- 460mA max @ 12VDC
- 810mA max @ 24VDC

Reversed Polarity: Withstands reversed battery terminal polarity.

Environmental

- Operating Temperature:** -40°C to 70°C (-40°F to 158°F)
- Storage Temperature:** -55°C to 85°C (-67°F to 185°F)
- Sealing:** IP68

CAN Bus: SAE J1939 compliant

Connectors

- 4-pin AMP "Mini-universal Mate-N-Lok connector"
- AMP Plug: P/N 172338-1
- AMP Socket: P/N 171639-1 (4 each, assumes 18 gauge wire. See AMP Plug specification to match socket and wire size.)

Maximum Panel Thickness: 3/8 inch (9.6 mm)

Shipping Weights (all models): 0.2 lb. (0.1 kg.)

Shipping Dimensions (all models): 3-7/8 x 2-3/4 x 2-3/4 in. (98.4 x 69.85 x 69.85 mm)

How to Order

PV10 - A

Bezel Type (flat lens)

- A = A20 (Brushed Silver)
- AB = A20 (Black)
- BB = Low profile SAE (Black)
- DB = Low Curved (Black)

Accessories

Wiring Harness, PVW-PDA-12 PowerView 10 CAN and Power (P/N 78-00-0613)

Wiring Harness, PA-30 PowerView 10 Loose Wiring (P/N 78-00-0614)

Terminating Resistor, PVMJR (PN 78-00-0480)