

# XM500 I/O Module



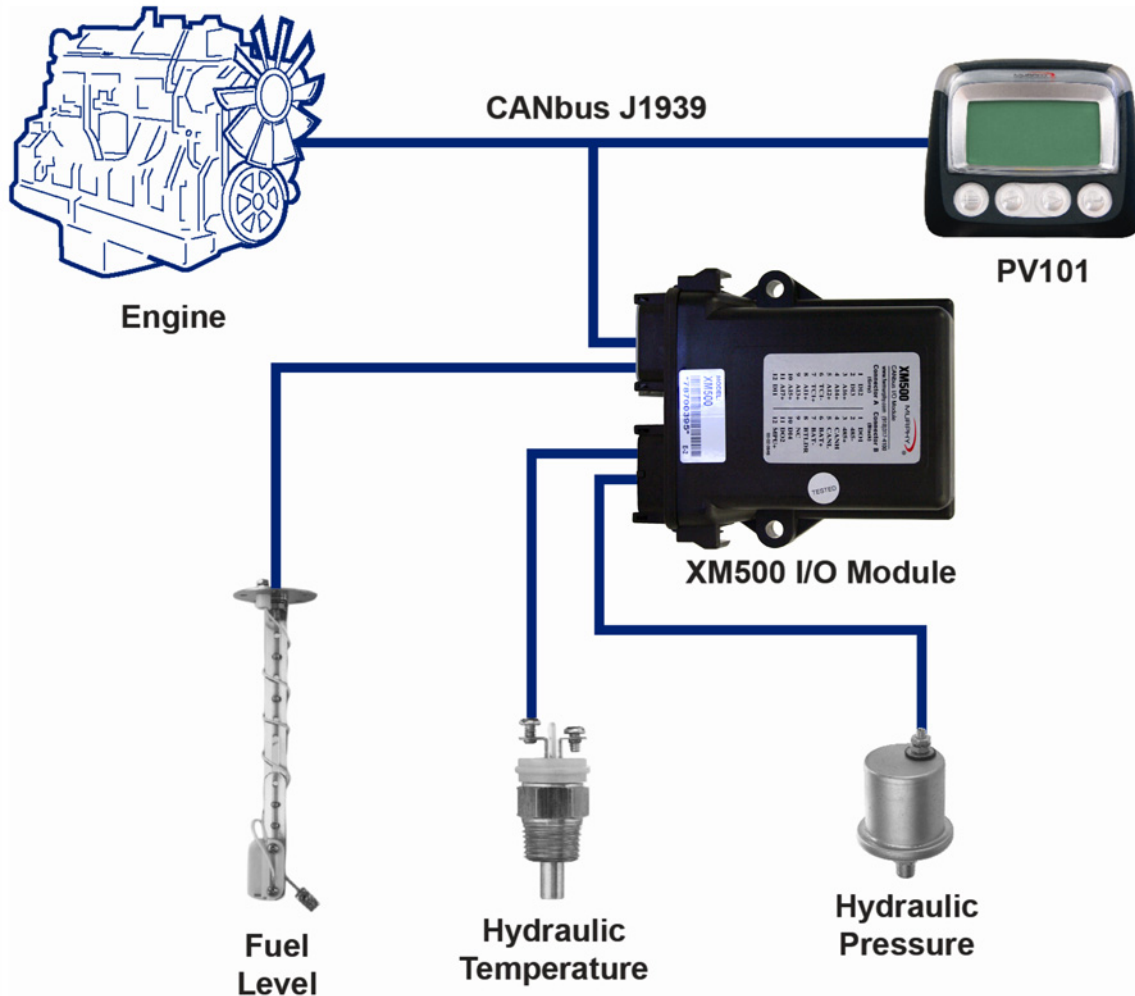
## Features

- Adds I/O to J1939 Network
- Works with Standard J1939 Display Modules
- Wide Operating Temperature range
- Industry standard Deutsch enclosure and connectors
- Custom programming available
- Easy-to-use Configuration Tool Available

The XM500 Module is a configurable Input/Output (I/O) module designed to bring analog and digital inputs and output onto the SAE J1939 Controller Area Network.

The XM500 Config Tool provides a user-friendly interface allowing the user to create or change the configuration used on the XM500 unit.

Your application may require monitoring of other information which may not be provided by the OEM Engine or Transmission Electronic Control Unit (ECU), such as Fuel Level, Hydraulic Oil Pressure, or a Low Engine Coolant Level switch. The XM500 is ideally suited to bring the additional information you need onto the J1939 CANBus, and can be configured to broadcast fault codes and activate digital outputs per input condition such as Fuel Level Low, Hydraulic Oil Temperature High, etc. Because the XM500 broadcasts information using the J1939 standard protocol, the information can be displayed using standard J1939 display modules, such as the PowerView PV101.



## Specifications

**Power Input:** 8 to 28VDC

**Operating Temperature:** -40 to 85°C (-40° to 185°F)

**Digital Inputs:** 4 - Ground or battery positive activation

**Digital Outputs\*:** 2 Sinking (500 mA)

\*(Outputs are NOT reverse polarity protected. Damage will occur if B+ is connected to the outputs. Connecting B+ to the unit voids the warranty.)

**Thermocouple Input<sup>1</sup>:** Type K and Type J

**Analog Inputs<sup>2</sup>:**

1 - Battery Supply Voltage (dedicated)

7 - Configurable as 0-5VDC, 4-20mA, resistive senders<sup>3</sup> or used as an additional Digital Input

**Speed Sensing Input:** 2 to 120VAC RMS from 30 to 10,000 Hz

**Communication Ports:** CAN J1939

**Product Weight:** 10 ounces

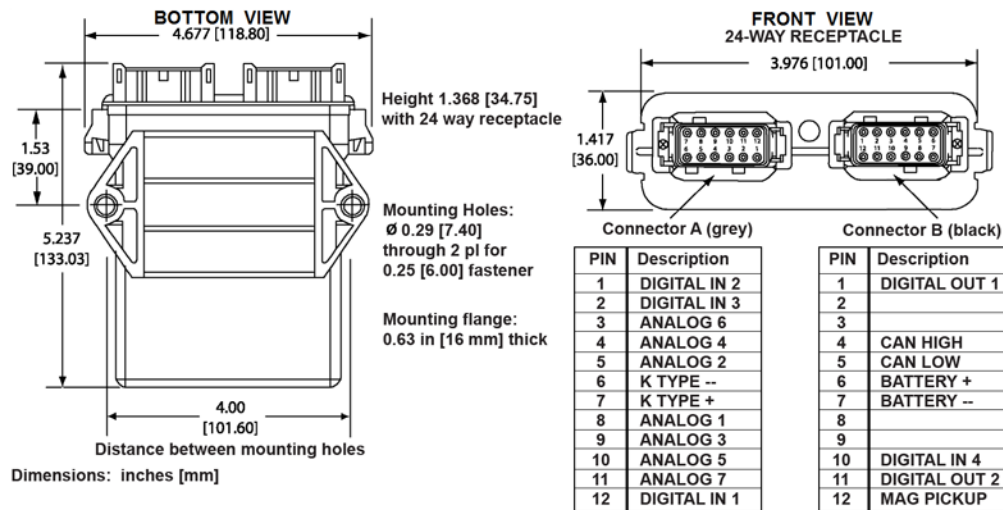
**Shipping Weight:** 12 ounces

**Shipping Dimensions:** 4" x 6" x 2"

<sup>1</sup>When the thermocouple input is used, only 5 resistive, 4-20 mA, or 0-5 VDC can be used instead of 7.

<sup>2</sup>Analog inputs can be exchanged for digital inputs (battery ground activation only), for a total of eleven digital inputs.

<sup>3</sup>Other resistive senders can be supported. Contact FW Murphy's Industrial Panel Division for programming charges.



## How to Order

### Part # Description

78700420 XM500 Murphy Standard (To determine other configurations, find document # 1110863 on the FW Murphy Web site)

78700534 XM500 Configuration Tool

### Wiring Harnessing:

30000669 6' harness w/o terminating resistor

30000685 6' harness w/terminating resistor

30000670 12' harness w/o terminating resistor

30000686 12' harness w/terminating resistor