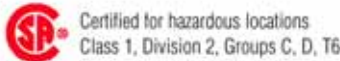


# Power Supply (Murphy Power Ignition) MPI Brushless Alternators

- ▶ **MPI Ignition Systems** are optimized with power supplies utilizing MPI high-quality brushless alternators. Designed for long-lasting durability with no moving electrical components. Ideal for all industrial applications, certified for hazardous duty locations and field proven.



Shown with optional bracket  
Part number: 72700092 (4-1/2")  
Part number: 72700093 (9-1/2")



## Features:

- No brushes, no brush springs
- One moving part, no moving electrical parts
- One-piece bearing housing, 4.5" or 9.5" brackets available
- Permanent bearing alignment
- Oversize lubrication reservoir
- Glass Filled TFE Fluorocarbon Seal (Teflon)
- Air-cooled 7.3" diameter advanced design

## Benefits:

- Strong, compact reliable power
- Exceptional bearing life
- Simple inspection and maintenance procedures
- 24-VDC, rated to 80 amp, 5,000 rpm  
CSA approval rated to 60 amp, 3,600 rpm
- Bi-directional rotation

## ▶ Sales-Service-Support

Murphy Power Ignition  
P.O. Box 470248  
Tulsa, OK 74147  
Phone: 918.317.4100  
FAX: 918.317.4266  
[www.murphy-pi.com](http://www.murphy-pi.com)



FWMurphy Control & Instrumentation Solutions

# ► Brushless Alternators

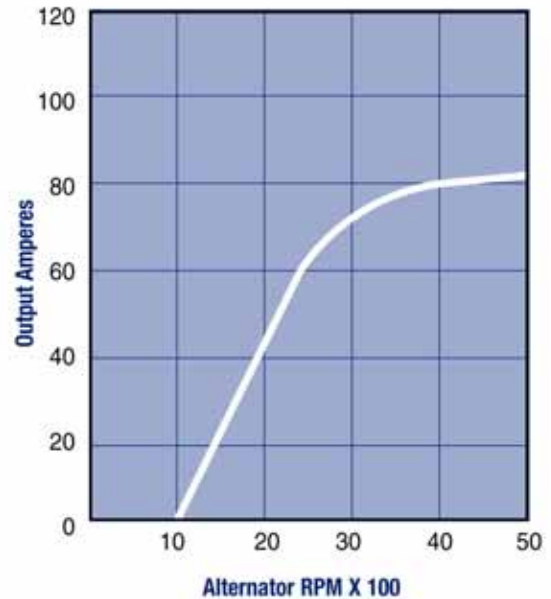
Maximize Power To Run Smoother.

Part number 72700161, 7.3 Diameter, Air-cooled, Belt or Direct Driven, 24 Volt

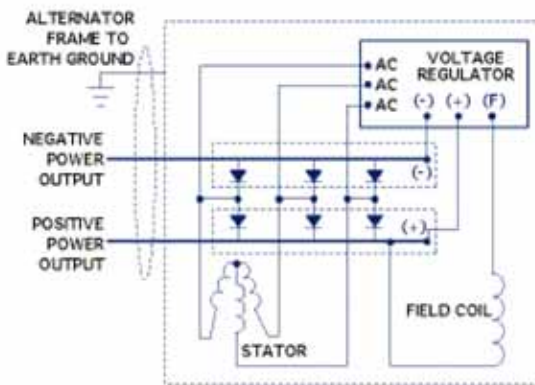
## Specifications

|                                 |                                       |
|---------------------------------|---------------------------------------|
| Rated Amperes                   | 80                                    |
| RPM @ Rated Amperes             | 5000                                  |
| Preset Volt Range               | 25.5-30                               |
| Full Load Voltage @ 28.0 Preset | 27.5                                  |
| Field Amperes                   | 4.5 Typical                           |
| Rotation                        | Bi-Directional                        |
| Shaft Diameter (Pulley)         | 7/8 inch nominal                      |
| Voltage Regulator               | Integral - Adjustable - Self Exciting |
| Wiring Connections              | B+, B-, Ground                        |
| Rectifier Diode Construction    | Individually Replaceable              |
| Rectifier, Rated Capacity       | 225 Amperes                           |

\*CSA International Certification 60 Amperes @ 3600 RPM



## Wiring Diagram

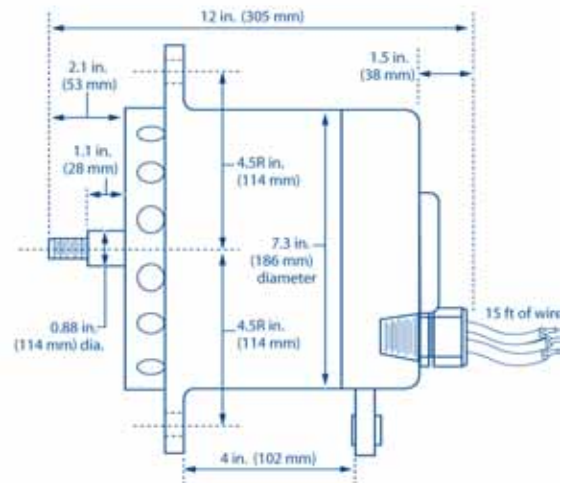


WIRE COLOR CODES

|                |       |
|----------------|-------|
| AC             | WHITE |
| POS            | RED   |
| NEG            | BLK   |
| FLD            | BLUE  |
| CHASSIS GROUND | GREEN |

For 7.3 inch diameter, single ended, 80 amp alternator to self-excited voltage regulator, all voltages. For use in Class I, Division 2, Hazardous Areas.

## Dimensions



MPI-04106B Revised 4/10 Printed in USA

► MPI Distributor and Service Representative:



[www.murphy-pi.com](http://www.murphy-pi.com)

Specifications and performance data subject to change without notice. Certified specifications and performance data available upon request.