

Keystart 9620 Series - Engine and Generator Controls



Features

- Operator controlled start/stop
- Keyswitch operation
- Automatic fault shutdowns and alarm output
- Timed preheat output
- Overspeed shutdown, driven from magnetic pickup or generator AC

Keystart 9620 and 9621 control modules provide manual start/stop and automatic fault protection for generators, pumps and other engine-driven applications.

Operator control is by a 4 position keyswitch, with the key removable only in the Stop/Reset (O) position. Outputs allow control of engine fuel (energised to run), starter motor and preheat. The Keystart also has an alarm output for remote or audible warning of faults.

Indication of engine status and faults is by six LEDs and icons. Four switch inputs (closing to negative on fault) enable automatic shutdown on engine low oil pressure, high coolant temperature and auxiliary faults. Model 9621 has a fully adjustable engine overspeed shutdown feature, configurable for either generator AC or magnetic pickup speed signals. Charge alternator excitation and a charge fail warning LED are fitted as standard.

Electrical connection is by quick-connect, spring-clamp terminal blocks. A universal 7 to 30VDC power supply permits operation with 12 or 24VDC engine batteries, with engine crank-dip voltage protection fitted as standard.

Keystarts are front-of-panel mounted through a standard square cut-out, and secured at the rear with quick-fit clips. Epoxy-resin case encapsulation gives superior vibration/shock resistance and environmental protection.

Specifications

Power supply

Operating voltage, steady state: 7 to 30 VDC
Operating voltage, brown out / cranking: 5 VDC minimum
Current consumption: < 100mA

Inputs

Fault switch inputs: close to negative DC during fault
Generator AC input (model 9621 only):
70 – 270 VAC rms, <50 to >60 Hz nominal
Magnetic pickup input (model 9621 only):
3.5 – 21 VAC rms, <2000 to >6500 Hz nominal

Outputs (all ratings non-reactive)

Run (fuel): positive DC, NO relay contacts, 10A max @ 24VDC
Start (crank): positive DC, keyswitch contacts, 10A max @ 24VDC
Alarm: negative DC (open collector transistor), 300mA max
Speed calibration: to suit 0 – 1mA, 75 Ohm meter,
output = 0.75mA at rated engine speed

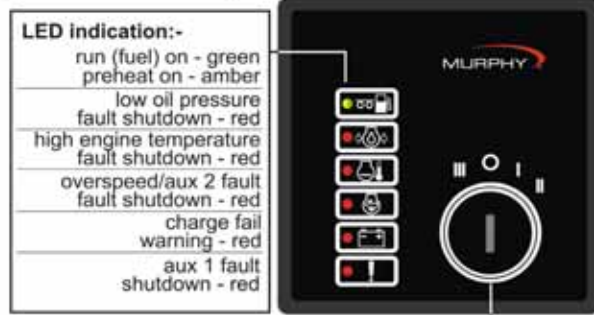
Adjustable settings

Preheat timer: 0 or 10 secs (links J1 and J4), default = 0 secs
Fault override timer: 2 to 20 secs (VR1), default = 10 secs
Overspeed trip level (model 9621 only): 100 to 130% (VR3) of nominal calibrated speed, default = 110% (of 50 or 60 Hz)

Physical

Case material: polycarbonate / polyester
Overall dimensions (w x h x d): 96 x 96x 95mm / 3.8 x 3.8 x 3.7 in.
Panel cut-out size: DIN 92 x 92mm / 3.6 x 3.6 in.
Weight: approx 300g / 0.7 lb
Operating temperature: –35 to +55 °C / –31 to +131 °F

Front view and operation



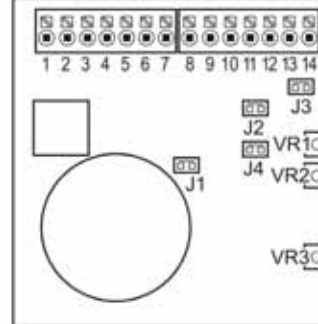
LED indication:-

run (fuel) on - green
preheat on - amber
low oil pressure fault shutdown - red
high engine temperature fault shutdown - red
overspeed/aux 2 fault shutdown - red
charge fail warning - red
aux 1 fault shutdown - red

4 position keyswitch:

- Off/Reset.** Removes power, stops the engine and resets any latched shutdown fault.
- Run.** Activates the Run output and (if enabled) the timed Preheat output. Once the engine is fully running, and after the 'override' time, Keystart immediately shuts down the engine on detection of a fault.
- Start/crank.** Maintains the Run output, and activates the Start (crank) output. Shutdown fault inputs are disabled and the fault override timer is reset. This position spring-returns to I (Run) on release.
- Auxiliary.** Keyswitch auxiliary output, positive DC.

Rear view, connection & settings



Connection:-

- 1 run (fuel) output: +DC, 10A
- 2 preheat output: +DC, 10A
- 3 start (crank) output: +DC, 10A
- 4 + DC power supply
- 5 charge fail (WL)
- 6 oil pressure fault input
- 7 aux. 1 fault input
- 8 engine temp fault input
- 9 aux. 2 fault input
- 10 alarm output: -DC, 250mA
- 11 speed calibration output
- 12 - DC power supply

Speed input, model 9621 only:

- links J2 and J3 ON:
 13 L Generator AC, 50/60Hz
 14 N 70-270 VAC, 50/60Hz
 links J2 and J3 OFF:
 13 + magnetic pickup,
 14 - 3.5-21 VAC, 2000-6500Hz

Configuration:-

Use a 3 mm/0.1 in. flat head screwdriver for potentiometers VR1-VR3

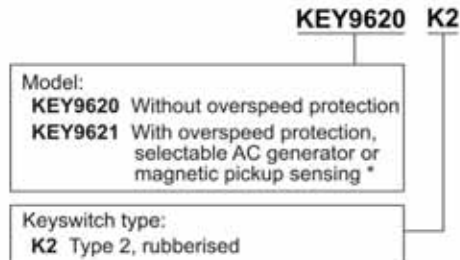
All models:-

- J1 & J4: preheat output timing
- J1 ON: no preheat
- J1 OFF, J4 OFF: preheat 10 secs fixed, unaffected by crank
- J1 OFF, J4 ON: preheat 10 second max, cancelled by crank
- VR1: Fault override, 2 - 20 secs, clockwise to increase.

Model 9621 only:-

- J2 & J3: speed sensing source (pins 13 and 14):-
- both links ON for generator AC, 50/60Hz
- both links OFF for magnetic pickup, 2000 - 6500 Hz.
- VR2: Speed calibration. Set J2 and J3 correctly, run engine to nominal speed, adjust VR2 to give (pin 11) calibration output of 0.75mA
- VR3: Overspeed, 100 - 130% of VR2 setting, clockwise to increase

How to order



* factory default setting is for AC generator sensing, calibrated to either 50 or 60 Hz nominal. Non-standard (NS) settings/options are available to order.

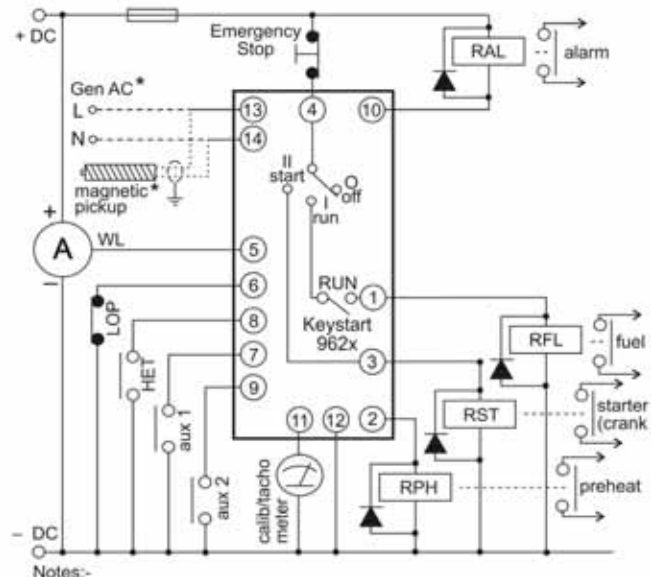
Accessories/spares

Stock code	Description
41.70.0157	Spare mounting clips (pack of 4)
65.70.0256	Spare keyswitch (K2 type), includes key
00.00.3235	Spare key (K2 type)

Further information

Document	Description
00-02-0657	Keystart 9620/9621 installation instructions

Typical connection



Notes:-

- * Overspeed models 9621 only. Select generator AC or magnetic pickup speed sensing using links J2 & J3 (see rear view diagram). Factory default setting is for generator AC sensing.

FW MURPHY

PO. Box 47024B
 Tulsa, Oklahoma 74147 USA
 Phone: +1 918 317 4100 Fax: +1 918 317 4266
 E-mail: sales@fwmurphy.com

INDUSTRIAL PANEL DIVISION

Fax: +1 918 317 4124
 E-mail: ipdsales@fwmurphy.com

MURPHY POWER IGNITION

Web site: www.murphy-pi.com

CONTROL SYSTEMS & SERVICES DIVISION

PO. Box 1819
 Rosenberg, Texas 77471 USA
 Phone: +1 281 633 4500 Fax: +1 281 633 4588
 E-mail: css-eolutions@fwmurphy.com

FRANK W. MURPHY LTD.

Church Road, Laverstock
 Salisbury, SP1 1GZ, UK
 Phone: +44 1722 410055 Fax: +44 1722 410088
 E-mail: sales@fwmurphy.co.uk
 Web site: www.fwmurphy.co.uk

COMPUTRONIC CONTROLS

41 - 46 Railway Terrace
 Natchells, Birmingham, B7 5NS, UK
 E-mail: sales@computroniccontrols.com
 Web site: www.computroniccontrols.com

www.fwmurphy.com

FW MURPHY INSTRUMENTS (HANGZHOU) CO., LTD.

77 23rd Street
 Hangzhou Economic & Technological Development Area
 Hangzhou, Zhejiang, 310018, China
 Phone: +86 571 8788 6060 Fax: +86 571 8684 8878
 E-mail: apcsales@fwmurphy.com



USA-ISO 9001:2008 FM 20271
 UK-ISO 9001:2008 FM 29429
 CHINA-ISO 9001:2008 FM 323511
 Registered Facilities



Printed in U.S.A.

02/11/2011

Warranty - A limited warranty on materials and workmanship is given with this FW Murphy product. A copy of the warranty may be viewed or printed by going to <http://www.fwmurphy.com/warranty>