

Swichgage® Shutdown Panels for Mobile Equipment of All Kinds – WAI Series



Features

- Get the Same Original Equipment Specified by Major OEM's
- Swichgage Instruments Include Built-in Light Pipe Illumination
- Prewired and Ready to Install
- Alarm Only Model Saves Money on Applications Not Requiring Shutdown
- Available for 12 or 24 Volts

WAI Series Murphy panels offer engine protection for on and off road mobile equipment.

You get accurate engine readings and time-delayed automatic shutdowns. Flashing light and mini-siren signal a warning before the shutdown. Alarm-only panels (without shutdown capabilities) are also available.

WAI panels are easy to install and function test without the need for expensive auxiliary equipment. Each is a cost competitive and effective system for engine protection.

The WAI Series Panels are complete diagnostic, engine-protection systems. Any vehicle or engine can be monitored and in case of potentially damaging conditions an alarm will operate before the engine is shut down. WAI Panels feature direct-reading, mechanical Swichgage instruments (gauge and limit switch in one) and Selectronic relays and alarms. Swichgage instruments are internally lighted for night illumination.

Models Available

WAI-2: Completely enclosed and with convenient under-dash mounting provides Swichgage instruments for low oil pressure and high coolant temperature; visual and audible alarms before automatic shutdown. Includes a 270° pivoting, mounting bracket.

WAI-3: Same as WAI-2 panel with a 3rd Swichgage instrument for block coolant pressure (0-15 psi).

WAI-4: Same as WAI-2 panel with a 3rd Swichgage instrument for transmission temperature (140-300°F).

WAI-7: Open style panel same as WAI-2.

WAI-8: Open style panel provides Swichgage instruments for low oil pressure, coolant pressure and high coolant temperature; visual and audible alarms before automatic shutdown.

WAI-9: Open style panel same as WAI-8 with transmission temperature Swichgage instrument instead of coolant pressure.

WAI-271: Open style panel similar to WAI-7 but for alarm-only.

Application

Trucks, buses, fork lifts, loaders, earth-movers—any engine powered mobile unit, such as delivery vans, farm and construction equipment, street sweepers.

WAI-2

- Enclosed Panel
- Oil Pressure Switchgauge instrument
- Coolant Temperature* Switchgauge instrument
- Mini-siren
- FL3/TL2 flasher and light
- 760AF Magnetic Switch with 30 second time delay for alarm before shutdown; 12 VDC, (optional 24 V)



WAI-3 / WAI-4

- Enclosed Panels
- Oil Pressure Switchgauge instrument
- Coolant Temperature* Switchgauge instrument
- Block Coolant Pressure* Switchgauge instrument (WAI-3 only 0-15psi)
- Transmission Temp.* Switchgauge instrument (WAI-4 only 140-300°F)
- Mini-siren
- FL3/TL2 flasher and light
- 760AF Magnetic Switch with 30 second time delay for alarm before shutdown; 12 VDC, (optional 24 V)



WAI-7

- Open Style Panel
- Oil Pressure Switchgauge instrument
- Coolant Temperature* Switchgauge instrument
- Mini-siren
- TL7, Flasher Alarm Light
- 760AF Magnetic Switch with 30 second time delay for alarm before shutdown; 12 VDC, (optional 24 V)



WAI-8 / WAI-9

- Open Style Panel
- Oil Pressure Switchgauge instrument
- Coolant Pressure* Switchgauge instrument (WAI-8 only 0-15psi)
- Transmission Temp.* Switchgauge instrument (WAI-9 only 140-300°F)
- Coolant Temperature* Switchgauge instrument
- Mini-siren
- TL7, Flasher Alarm Light
- 760AF Magnetic Switch with 30 second time delay for alarm before shutdown; 12 VDC, (optional 24 V)



* Temperature capillary length is standard 6 ft. (1.8 m). Specify longer lengths.

Warranty - A limited warranty on materials and workmanship is given with this FW Murphy product.
A copy of the warranty may be viewed or printed by going to <http://www.fwmurphy.com/warranty>

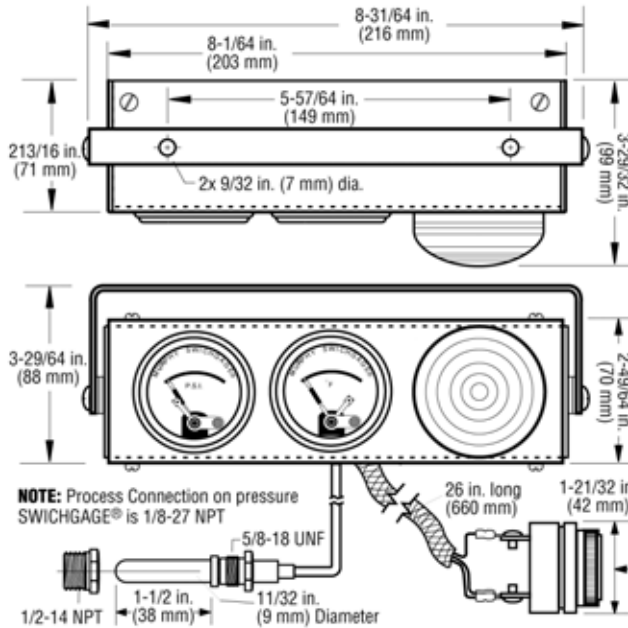
WAI-271

- Alarm-Only, Open Style Panel
- Oil Pressure Switchgauge instrument
- Coolant Temperature* Switchgauge instrument
- Mini-siren
- TL7, Flasher Alarm Light
- Available for 12 VDC or 24 VDC

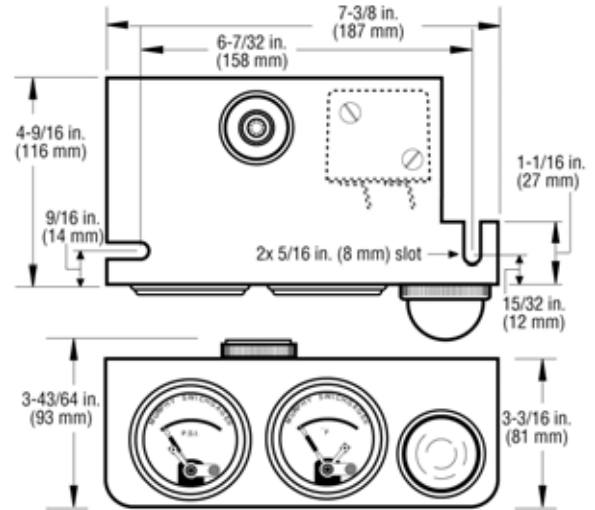


Typical Dimensions

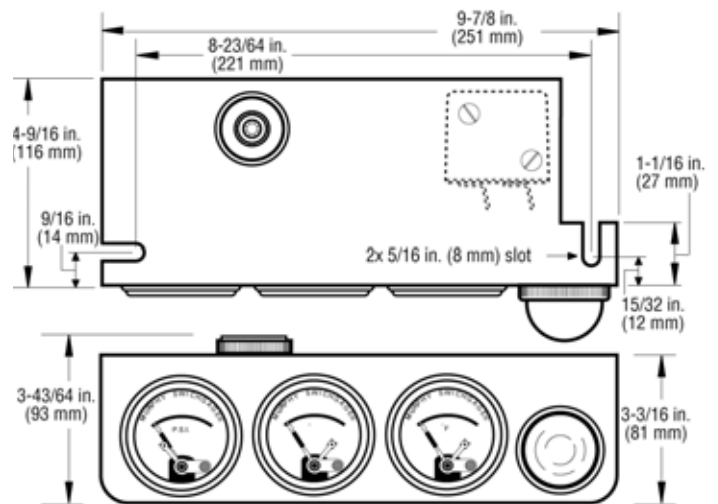
WAI-2



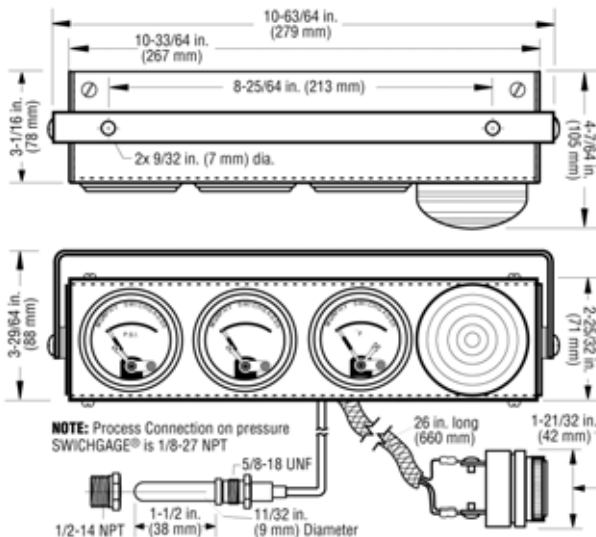
WAI-7



WAI-8 / WAI-9



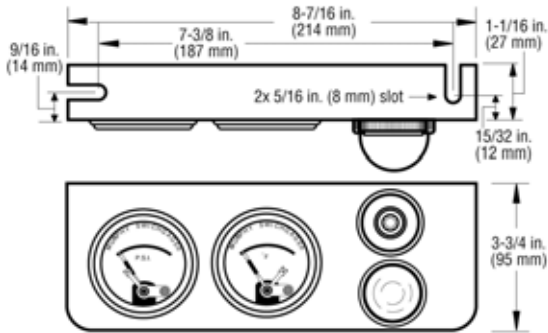
WAI-3 / WAI-4



* Temperature capillary length is standard 6 ft. (1.8 m). Specify longer lengths.

Typical Dimensions—(continued)

WAI-271



How to Order

Order by using the model number (also see the quick reference guide below):

WAI-2

WAI-3

WAI-4

WAI-7

WAI-8

WAI-9

WAI-271

STANDARD PANEL ASSEMBLIES AND KITS ~ QUICK REFERENCE GUIDE

Options like 24 VDC, special capillary length, delay time, etc. can be specified.

	WAI2	WAI3	WAI4	WAI7	WAI8	WAI9
Enclosed, easy-mount panel	✓	✓	✓			
Open, easy-mount panel				✓	✓	✓
201P-1-75 Engine oil pressure SWICHGAGE®	✓	✓	✓	✓	✓	✓
202T-1-220 Engine coolant temperature SWICHGAGE® (6 ft. [1.83 m] capillary)	✓	✓	✓	✓	✓	✓
202P-1-15 Engine coolant pressure SWICHGAGE®		✓			✓	
203T-1-300 Transmission temperature SWICHGAGE® (6 ft. [1.83 m]) warning-only			✓			✓
760AF SELECTRONIC® relay (30 second time delay, 12V)	✓	✓	✓	✓	✓	✓
TL7 SELECTRONIC® flashing alarm (12V, negative ground)				✓	✓	✓
TL2 and FL3 alarm light	✓	✓	✓			
SAH MINI-SIREN®	✓	✓	✓	✓	✓	✓
Diode 65010098, isolates transmission temperature for warning-only			✓			✓