

Swichgage[®] Shutdown Panel Kit Model W0270



Features

- Fits Caterpillar, Perkins and Detroit Diesel 4 and 6 Cylinder Engines
- Complete Kit Ready for Easy Installation
- Includes Wiring Harness
- Mount Either Side of Engine, or On Top
- Enclosed and Shock-Mounted
- Easily Expandable

The W0270 is a compact, low profile Swichgage shutdown panel kit. It is designed to fit the following power units:

- Caterpillar 3054 and 3056
- Perkins 1004 and 1006
- Detroit Diesel 1000 Series.

A universal shock-mounted bracket allows mounting on either side of the engine, or on top, for your power unit configurations. The kit is ready for quick, easy installation with provision for installing customer supplied ignition/start key switch. All wiring is included in the panel.

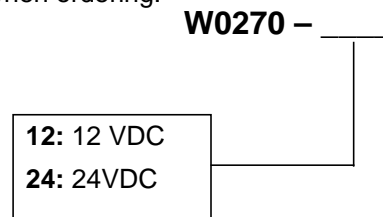
This panel kit is ideal for all types of power unit applications—irrigation pumps, grain dryers, compressors, generators, etc.

Standard Features

- Engine oil pressure monitoring Swichgage instrument (20P-F)
- Coolant temperature monitoring Swichgage instrument (20T-F)
- Voltmeter (VM12/VM24)
- Closed-loop 518PH Magnetic Switch
- Emergency stop button (PB128S)
- Provision for throttle cable
- Provision for customer supplied key switch (loom is prewired—mount and plug-in)
- Provision for optional tachometer or hourmeter (loom is prewired)
- Provision for one additional Swichgage instrument such as irrigation pump discharge pressure monitoring
- All items prewired including tachometer or hourmeter
- Complete external wiring harness including wiring for pre-heat and shutdown solenoid

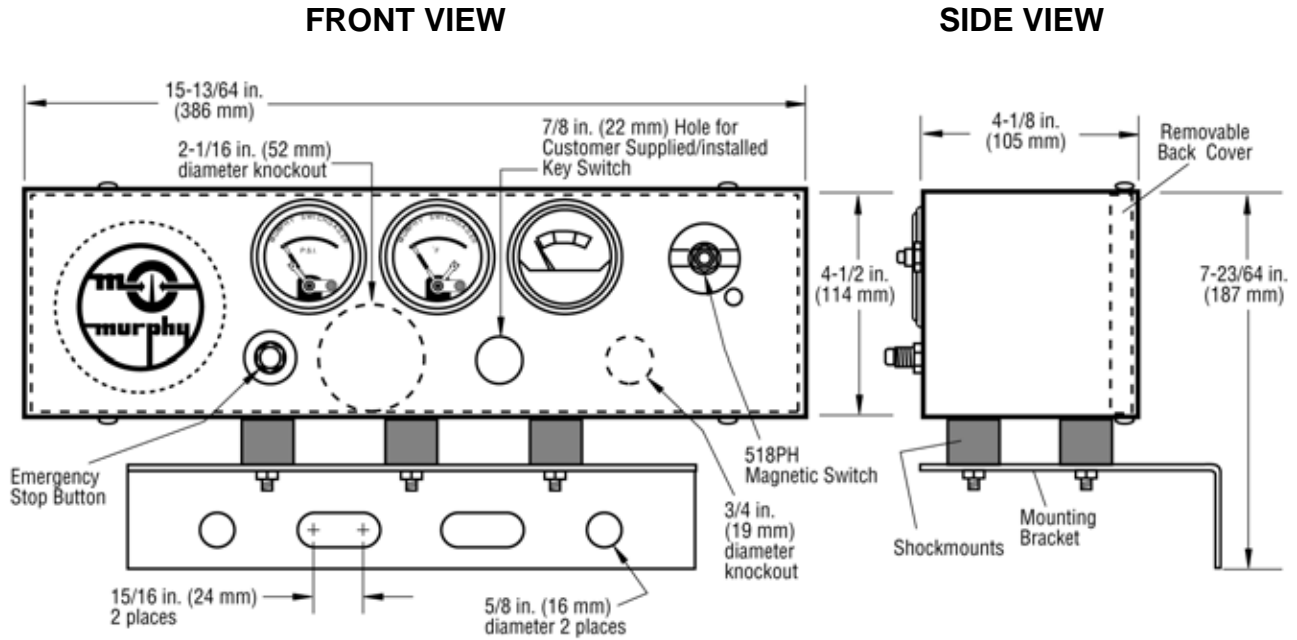
How to Order

Specify model number and voltage when ordering.

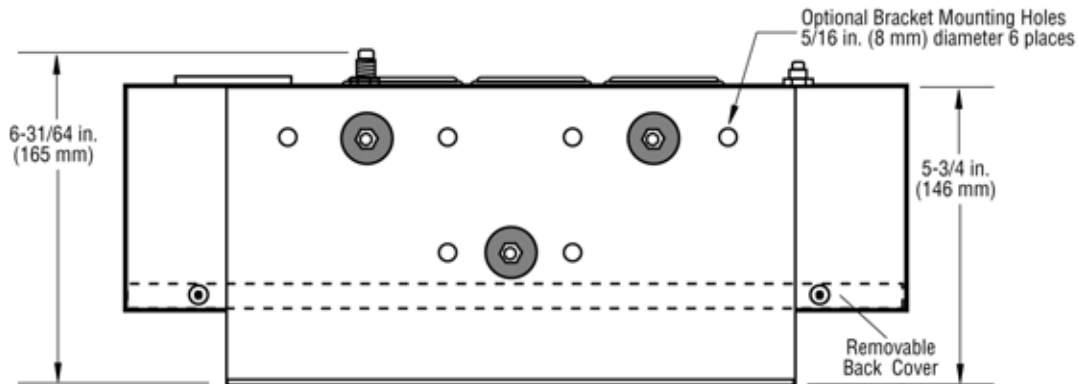


Order oil line assembly separately.

Dimensions



BOTTOM VIEW



Warranty - A limited warranty on materials and workmanship is given with this FW Murphy product. A copy of the warranty may be viewed or printed by going to <http://www.fwmurphy.com/warranty>