

# Selectronic® Flasher Alarm Light and Mini-siren TL7 and SAH Series



## Features

- High Visibility Flashing Red Alarm Light or Audible Alarm
- 12 VDC or 24 VDC
- Panel Mount
- All Electronic Description

The Model TL7 is a panel mounted flashing alarm light and audible alarm driver. The TL7 helps protect the Murphy Switchgag contacts from the very high inrush current of the lamp. It is available in 12 or 24 VDC for negative ground systems. The SAH Mini-siren provides an audible alarm when fault conditions are detected by a Switchgag instrument. It can be panel mounted and operates on 6–28 VDC.

## Application

The TL7 Flasher/Light is used as a warning device on various types of industrial and mobile equipment. The Mini-siren will give an audible warning when the TL7 operates, or it can be wired directly to the Switchgag contacts for audible only alarm.

## Features: TL7

- Red polycarbonate lens
- 12 VDC or 24 VDC negative ground (specify voltage)
- Tin plated male push-on type terminals
- SAH terminal designed to drive piezo electric audible alarm rated 20 mA @ 28 VDC such as Murphy SAH Series Mini-siren

## Specifications: TL7

### Power Requirements:

- Voltage: 12 or 24 VDC, negative ground (specify voltage).
- Current:
  - Sensor switch < 60 mA
  - 12 VDC, 360 mA with lamp on
  - 24 VDC, 200 mA with lamp on
  - 12 or 24VDC, 5 mA standby, lamp off

### Outputs (see replacement lamps):

Lamp output: 120 mA @ 14.4 VDC  
SAH terminal: 20 mA @ 28 VDC resistive

**Enclosure:** Red polycarbonate lens with aluminum retaining nut.

**Temperature Range:** -40°F to 165°F (-40°C to 74°C).

**Terminal Connections:** Four tin plated 1/32 x 1/4 inch (0.8 x 6 mm) male push-on type terminal.

**Mounting Hole:** 1-1/8 in. (29 mm) diameter.

**Maximum Panel Thickness:** 1/4 in. (6 mm).

## Specifications: SAH

**Type:** PIEZO electric transducer.

**Operating Voltage:** 6–8 VDC.

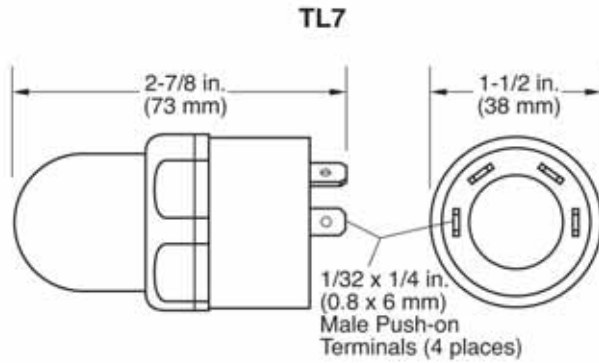
**Output Level:** at 28 VDC 1 meter, 90± 5 dB.

**Current Drain:** at 28 VDC, 20 mA MAX.

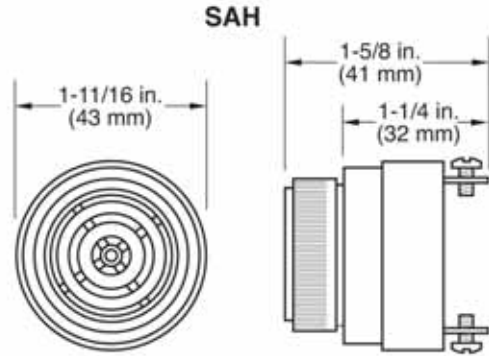
**Mounting Hole:** 1-1/8 in. (29 mm) diameter.

**Maximum Panel Thickness:** 1/8 in. (3 mm).

## Dimensions



**Mounting Hole:** 1-1/8 in. (29 mm) diameter  
**Maximum Panel Thickness:** 1/4 in. (6 mm)



**Mounting Hole:** 1-1/8 in. (29 mm) diameter  
**Maximum Panel Thickness:** 1/8 in. (3 mm)

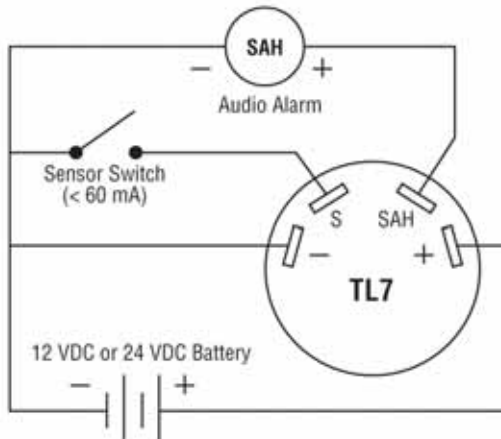
## Typical Wiring Diagram



**WARNING** Before beginning installation of this Murphy product:

- ✓ Disconnect ALL electrical power to the machine.
- ✓ Make sure the machine CANNOT operate during installation.
- ✓ Follow all safety warnings of the machine manufacturer.
- ✓ Read and follow all installation instructions.

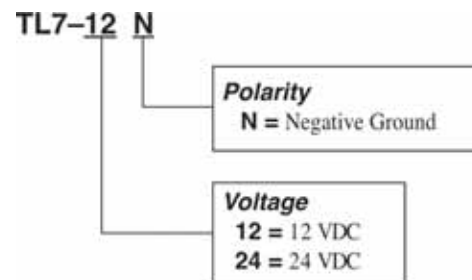
Below is a typical circuit diagram for the TL7 Flasher/Light and SAH Mini-siren. When the switch closes the lamp will flash and the optional Mini-siren will pulse at the same frequency.



**NOTE:** typical wiring with negative ground. Although designed to be used with Murphy Switchgage, the TL7 can be used with any dry contact type switch.

## How to Order

When ordering a TL7, voltage and polarity must be specified (see the diagram below):



**Warranty** - A limited warranty on materials and workmanship is given with this FW Murphy product.  
 A copy of the warranty may be viewed or printed by going to <http://www.fwmurphy.com/warranty>