

Time Switches

Models 5T, 15T, 12T and 24T 12 or 24 Hour and 5 or 15 Minute



Features

- Two Versions Available:
 1. Hour Switch for Setting Run Time and Shutdown of Equipment
 2. Minute Switch for a Short Interruption of SWICHGAGE® Circuits on Test or Start-up
- Spring Wound, No Electric Power Required
- Precision Movement Can Be Set to Zero at Any Time
- Built-in Stop Prevents Overwinding

Murphy Time Switches can automatically start or stop engines or electrical motors after a predetermined time. These time switches can be wired for a open or closed circuit when time expires. They require no electrical current to operate and have an SPDT contact arrangement. These switches feature a precision movement that gives years of reliable service. A built-in stop prevents overwinding.

The **12T** (12 hour) and **24T** (24 hour) time switches are enclosed in a NEMA 4 weatherproof enclosure. A hinged, gasketed cover and 1/2 NPT conduit connection allow for a dust tight installation. The enclosure includes a clasp and eye for padlock to prevent unauthorized operation. Instructions for popular engine applications are secured inside of the lid.

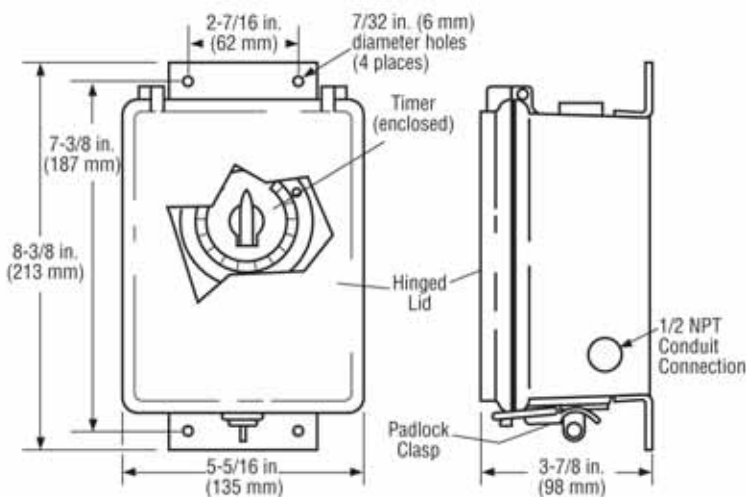
The **5T** (5 minute) and **15T** (15 minute) timers mount directly in control panels for short range timing with manual reset. These switches are perfect for disconnecting shutdown circuits while equipment is being started.

Applications

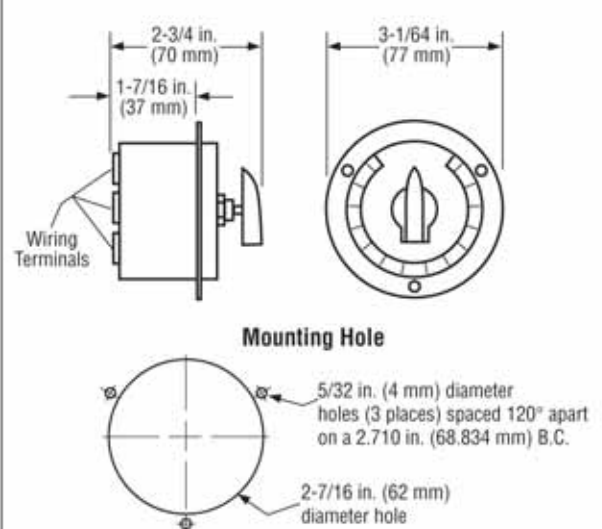
Murphy Time Switches are designed for use in the oil field, irrigation systems or anywhere equipment must operate or be controlled for a predetermined time. Mounted on a post or in a panel away from vibration and shock, these time switches give accurate, long term service.

Dimensions

12T and 24T 5TWP and 15TWP



5T and 15T



Typical Wiring Diagrams



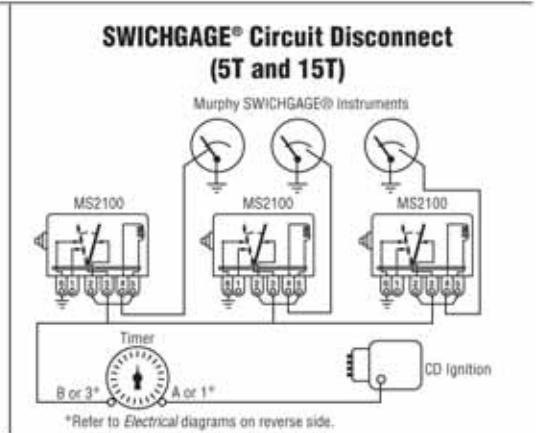
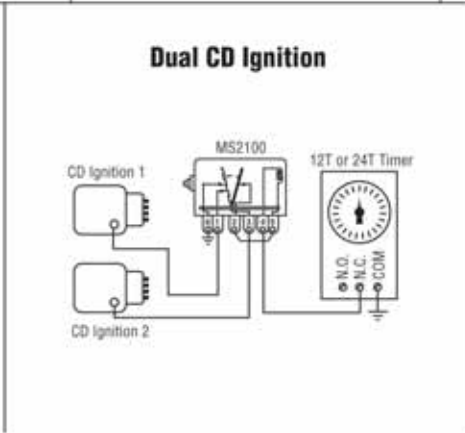
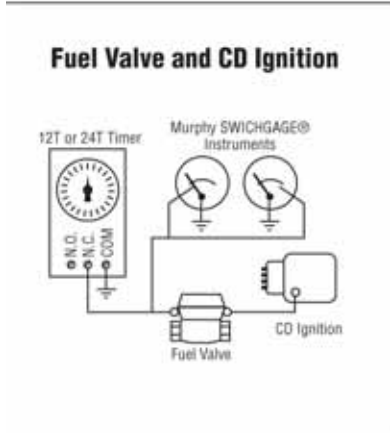
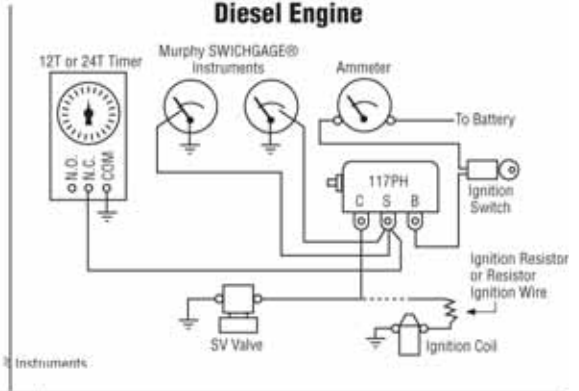
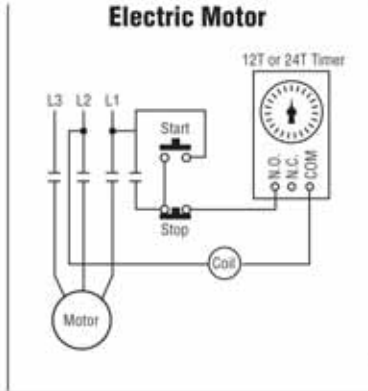
WARNING Before beginning installation of this Murphy product:

- ✓ Disconnect all electrical power to the machine.
- ✓ Make sure the machine cannot operate during installation.
- ✓ Follow all safety warnings of the machine manufacturer.
- ✓ Read and follow all installation instructions.

WARNING

Before beginning installation of this Murphy product:

- ✓ Disconnect all electrical power to the machine.
- ✓ Make sure the machine cannot operate during installation.
- ✓ Follow all safety warnings of the machine manufacturer.
- ✓ Read and follow all installation instructions.



Specifications

Range:

- 12T: 0-12 hours in 15 minute intervals.
- 24T: 0-24 hours in 30 minute intervals.
- 5T: 0-5 minutes.
- 15T: 0-15 minutes.

Contact (all models): SPDT, rated 5 A @ 480 VAC; 10 A @ 250 VAC; 15 A @ 48 VDC.

Shipping Weight: 12T, 24T: 4 lbs. 12 oz. (2.15 kg). 5T and 15T: 6 oz. (11.66 g).

Shipping Dimensions: 12T, 24T: 9-1/4 x 8-1/4 x 5-1/2 in. (235 x 210 x 140 mm).
5T and 15T: 3 x 2-3/4 x 2-3/4 in. (76 x 70 x 70 mm).

How to Order

To order time switches, specify as follows:

Base Model	24T - LC
5T	24T
15T	5TWP (weatherproof)
12T	15TWP (weatherproof)
Options (may not apply to all models)	
LC = Less case (12T, 24T only)	

Warranty - A limited warranty on materials and workmanship is given with this FW Murphy product. A copy of the warranty may be viewed or printed by going to <http://www.fwmurphy.com/warranty>