

MLS Series - Liquid Level Switches

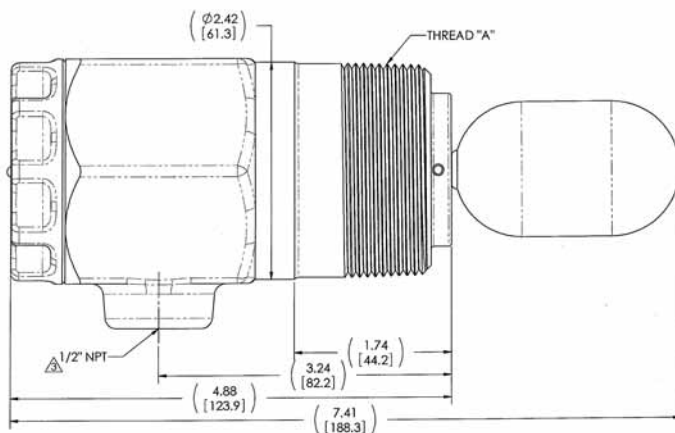


Features

- **Clean Magnet Design** virtually eliminates iron filing accumulation onto the magnet
- **Seal-Free Construction**
- ANSI/ISA 12.27.01 compliant (Single Seal)
- Operates in 0.50 specific gravity or heavier fluids
- Designed for harsh gas compressor scrubber applications
- 304 cast equivalent SS body and 304 SS float
- Rated for 2000 psi (13.8 MPa) [138 bar] working pressure
- Trip on rising and falling without need to rotate body
- Electric model only available
- All models screw directly into the scrubber or can be mounted via a Murphy external float chamber
- CSA C/US Class I, Div. 1, Grp. B, C & D locations
- NACE MR0175 compliant
- Canadian Registration Number 0F01476.2

MLS Series Liquid Level Switches are float activated to operate an electrical SPDT reed switch for annunciation/pilot signal for indication of high level to an annunciator, controller or PLC. The MLS connects directly into the gas scrubber wall and can be used with a Murphy weld collar or Murphy external float chamber. The MLS Series is available in both 2" NPT and 1-1/2" NPT models.

Product Dimensions



Specifications

Process Connection: 2" NPT (MLS-020)
1-1/2" NPT (MLS-015)

Fluid Density (Sg): 0.50 MIN

Pressure Rating: 2000 psig (13.8 MPa) [138 bar]

Materials:

Body: ASTM A351 CF8 (304 SS)

Cover: ASTM A351 CF8 (304 SS)

Other Wetted Parts: 304 or 316 SS

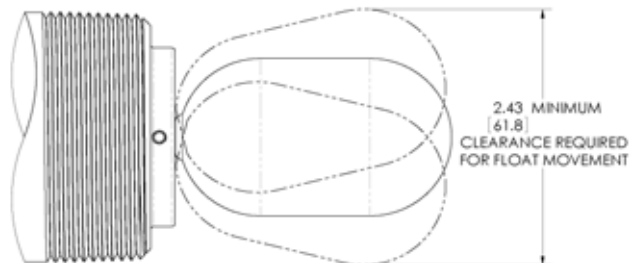
Meets NACE MR0175 for direct exposure to H₂S

Process Temperature: -20 to 300°F (-24 to 149°C).

Electrical: 30VAC/VDC 75mA Form C SPDT

Conductor cross section AWG/kcmil min.: 26

Conductor cross section AWG/kcmil max.: 16



Accessories

Refer to MLS Installation and Operations manual for additional information.

External Float Chamber 15700799

Operating Pressure: 2000psi (13.8MPa)[138 bar]

Operating Temperature: 400°F (204°F)

Shipping Weight: 18lbs (8.2kg)

Weld Collar 15050375

Operating Pressure: 2000psi (13.8MPa)[138 bar]

Operating Temperature: 400°F (204°F)

Shipping Weight: 6lbs (2.7kg)

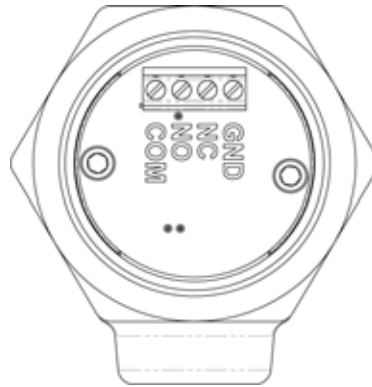
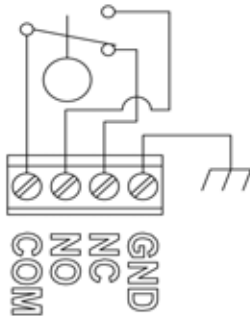
Approximate Shipping Weights and Dimensions (all models)

Weight: 5.5 lbs (2.49kg)

Dimensions: 14 x 5 x 3.5 in (356 x 127 x 89 mm)

Electrical Wiring Diagram

STD WIRING DIAGRAM



How to Order

To order the MLS Series Level Switch please specify one of the products listed below:

MLS-020 (2" NPT)

MLS-015 (1-1/2" NPT)

Warranty - A limited warranty on materials and workmanship is given with this FW Murphy product.
A copy of the warranty may be viewed or printed by going to <http://www.fwmurphy.com/warranty>