

Lead Line Pressure Swichgauge® Instrument Model PT167EX 4-1/2 in. (114 mm) Diameter Dial



Features

- Designed to Monitor Line Pressures of Highly Viscous and Mildly Corrosive Fluids
- Combination Indicating Gage and Critical Pressure Switch
- High and Low Pressure Limit Contacts Are Visible and Adjustable
- Explosion-proof Enclosure



*



†

* The PT167EX is CSA listed for ranges 100 to 5000 psi (689 kPa to 34.5 MPa) [6.89 to 344.74 bar].

† Products covered by this bulletin comply with EMC Council directive 89/336/EEC regarding electromagnetic compatibility as noted.

The Murphy PT167EX is a pressure Swichgauge instrument connected to a threaded pressure diaphragm housing. The Swichgauge instrument is enclosed in an explosion-proof case and is CSA rated for Class I, Division 1, Groups C and D.*

A Swichgauge instrument is a pressure indicating gage with adjustable low and high pressure limit switches. When the gage pointer touches the low or high limit switches, an electrical circuit is completed which can operate alarms and/or shut down equipment.

The 2 NPT, sealed-diaphragm housing is attached directly to the Swichgauge connection. The diaphragm housing is filled with a silicone fluid so that pressure against the diaphragm causes the Swichgauge instrument to respond. The housing seals the Swichgauge sensing element from the medium being measured.

Applications

Applications include highly viscous liquids such as crude oil on lead line applications. Other applications have included asphalt, sludge, abrasive materials, etc.

Specifications

Case: Explosion-proof, sand cast aluminum. Lens is removable. CSA Listed for Class I, Division 1, Groups C and D.*

Contact Rating: 1 A, 125 V AC.

Dial: 4-1/2 in. (114 mm) white on black, dual scaled psi /kPa. Other dial configurations available. Consult factory.

Ranges: See How to Order on reverse side.

Gage Accuracy: ±3% full scale.

Process Connection: 2 NPT.

Maximum Pressure: 30% overpressure.

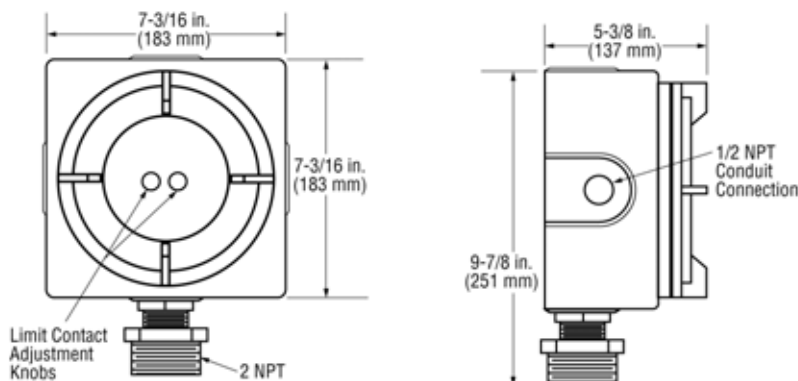
Diaphragm Housing: Plated steel, Ni-Span®; silicon filled.

Diaphragm Fluid: Silicone 200.

Shipping Weight: 16.5 lb (7.5 kg).

Shipping Dimensions: 12 x 12 x 9 in. (305 x 305 x 229 mm).

Dimensions



In order to consistently bring you the highest quality, full featured products, we reserve the right to change our specifications and designs at any time. MURPHY products and the Murphy logo are registered and/or common law trademarks of Murphy Industries, LLC. This document, including textual matter and illustrations, is copyright protected by Murphy Industries, LLC, with all rights reserved. (c) 2011 Murphy Industries, LLC.

How to Order

To order, specify pressure range, bourdon tube and options. Example: **PT167EX-R-200-T1**.

PT167EX - -

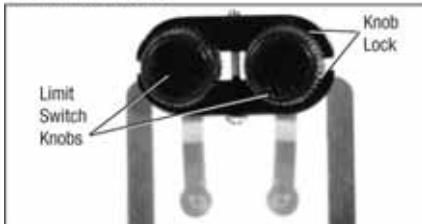
Bourdon Tube Socket-Material/Size			
Specify	Tube/Socket Material	Tube Type	Range Selection Limits psi (MPa) [bar]
A	Grade A Phosphor Bronze (Tube) Brass (Socket)	C-Tube	Thru 1,000 psi (6.89 MPa) [68.95 bar]
S	316 Stainless Steel (Tube and Socket)	C-Tube	Thru 1,000 psi (6.89 MPa) [68.95 bar]

Ranges			
Specify	vacuum/psi	kPa/MPa	bar
100	0 - 100 psi	0 - 689 kPa	0 - 6.89
160	0 - 160 psi	0 - 1.10 MPa	0 - 11.03
200	0 - 200 psi	0 - 1.38 MPa	0 - 13.78
300	0 - 300 psi	0 - 2.07 MPa	0 - 20.68
400	0 - 400 psi	0 - 2.76 MPa	0 - 27.57
600	0 - 600 psi	0 - 4.14 MPa	0 - 41.36
1000	0 - 1000 psi	0 - 6.89 MPa	0 - 68.95

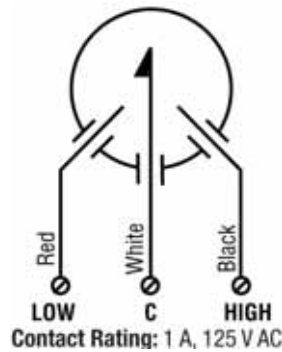
If specifying range in bar, kPa/MPa or kg/cm², specify appropriate designator after value.
Example: 20**B** = 20 bar.
B = Bar
K = kPa/MPa
M = kg/cm²

Tamperproof Contact Accessory

Order 05000610



Internal Wiring



Typical Installation

The photo at right shows the PT167EX installed in a lead line. For optimum effectiveness, the PT167EX should be installed ahead of all other devices or valves; by positioning it immediately adjacent to the well outlet, the Swichgag instrument monitors the entire lead line, sensing any blockage whether sludge build-up in the line or an accidental closed valve. The pressure trans-mitter threads into a 2 NPT tee on the lead line.



Warranty - A limited warranty on materials and workmanship is given with this FW Murphy product. A copy of the warranty may be viewed or printed by going to <http://www.fwmurphy.com/warranty>