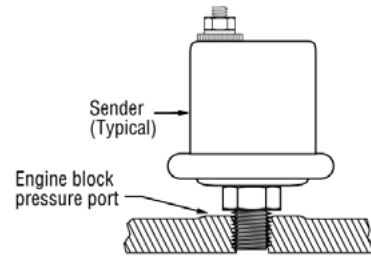


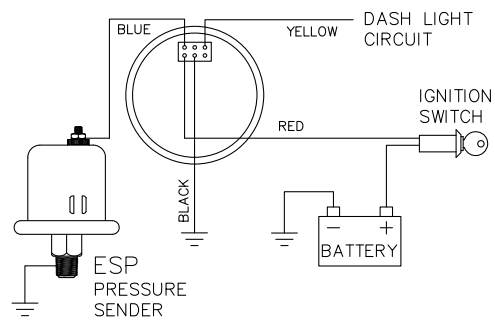
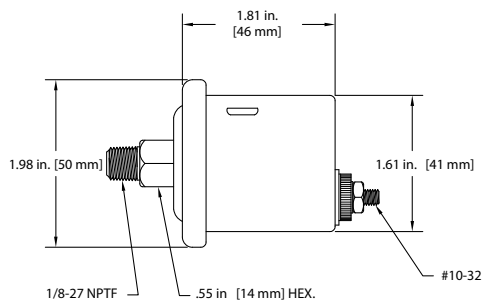
Pressure Senders

These Gage Pressure Senders are designed to be used in conjunction with our EG Series Switchgauge Instruments as well as CAN I/O modules. See the bulletin 95090 EG Series – Electric Gage and Switchgauge Instrument for more information.

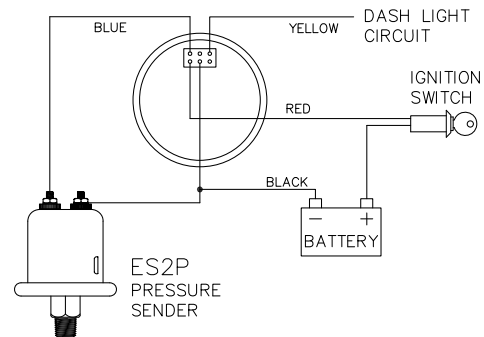
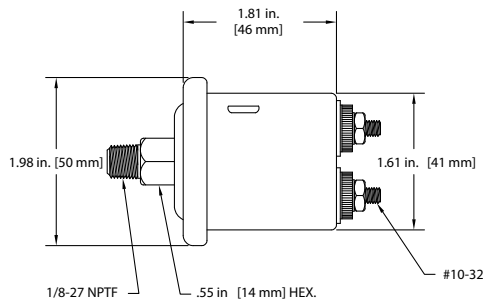
NOTE: Always provide proper circuit protection with fuses or circuit breakers.



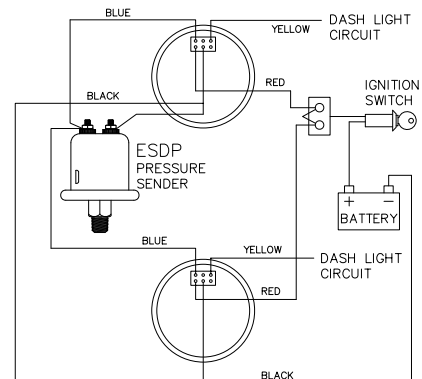
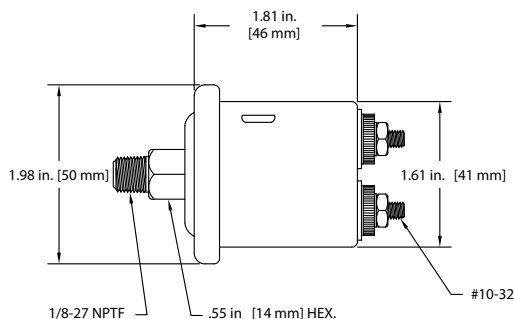
Model ESP Series



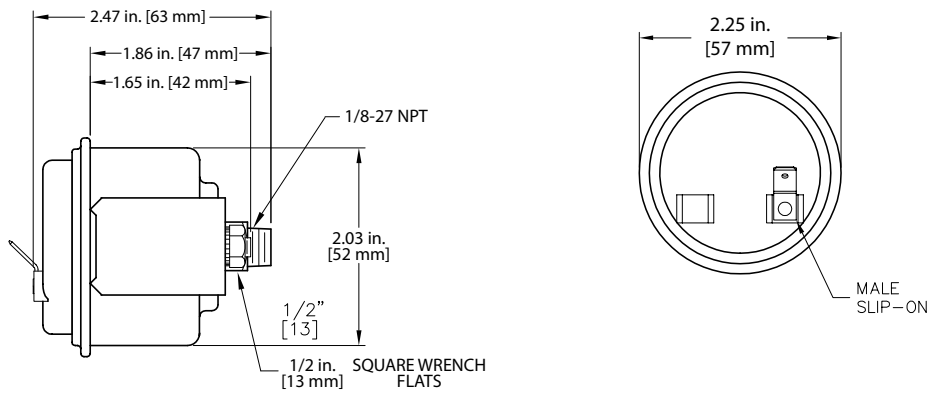
Model ES2P Series



Model ESDP Series



Model ESPM and ESPMK Series



Resistance Values

ESP-80, ES2P-80 Senders:

0 PSI = 240 ohms (falling pressure)
 20 PSI = 153 ohms (falling pressure) (primary calibration point)
 40 PSI around 100 ohms (falling pressure)
 60 PSI = 67 ohms (falling pressure) (secondary calibration point)
 80 PSI = 33 ohms (rising pressure)

ESP-100, ES2P-100 Senders:

0 PSI = 240 ohms (falling pressure)
 25 PSI = 153 ohms (falling pressure) (primary calibration point)
 50 PSI around 100 ohms (falling pressure)
 75 PSI = 67 ohms (falling pressure) (secondary calibration point)
 100 PSI = 33 ohms (rising pressure)

ESPM-200, ES2PM-200 Senders:

0 PSI = 240 ohms (falling pressure)
 50 PSI = 153 ohms (falling pressure) (primary calibration point)
 100 PSI around 100 ohms (falling pressure)
 150 PSI = 67 ohms (falling pressure) (secondary calibration point)
 200 PSI = 33 ohms (rising pressure)

ESPM-300, ES2PM-300 Senders:

0 PSI = 240 ohms (falling pressure)
 75 PSI = 153 ohms (falling pressure) (primary calibration point)
 150 PSI around 100 ohms (falling pressure)
 225 PSI = 67 ohms (falling pressure) (secondary calibration point)
 300 PSI = 33 ohms (rising pressure)

ESPMK-400, ES2PMK-400 Senders:

0 PSI = 240 ohms (falling pressure)
 100 PSI = 153 ohms (falling pressure) (primary calibration point)
 200 PSI around 100 ohms (falling pressure)
 300 PSI = 67 ohms (falling pressure) (secondary calibration point)
 400 PSI = 33 ohms (rising pressure)

Resistance Table for Pressure Sender

The voltage generated when excited by a 10mA DC constant current

PSI	0	10	20	30	40	50	60	70	80	90	100
R(Ohm)	240	205	171	143	123	103	88	74	60	47	33
V (mV)	2.40V	2.05V	1.71V	1.43V	1.23V	1.03V	(880)	(740)	(600)	(470)	(330)

How to Order

Part Number	Model and Description	Notes: Available Ranges
05701860	ESP-80: 1-wire-to-ground Pressure sender	0-80 psi (0-500 kPa)
05701867	ES2P-80: 2-wire ungrounded Pressure sender	
05701857	ESP-100: 1-wire-to-ground Pressure sender	0-100 psi (0-700 kPa)
05701858	ES2P-100: 2-wire ungrounded Pressure sender	
05701859	ESDP-100: Dual Gage, 2-wire ungrounded Pressure sender	
05701753	ESPM-200: 1-wire-to-ground Pressure sender †	0-200 psi (0-1380 kPa)
05701748	ES2PM-200: 2-wire ungrounded Pressure sender †	
05701751	ESPM-300: 1-wire-to-ground Pressure sender †	0-300 psi (0-2070 kPa)
05701750	ES2PM-300: 2-wire ungrounded Pressure sender †	
05702566	ESPMK-400: 1-wire-to-ground Pressure sender †	0-400 psi (0-2760 kPa)
05702565	ES2PMK-400: 2-wire ungrounded Pressure sender †	

† Mounting off-equipment recommended.

NOTE: The ESPMK-400 & ES2PMK-400 are not recommended for use with digital I/O modules – use PXT-K pressure transmitter.