

Low Pressure SWICHGAGE®

20PWC, 25PWC and A25PWC Series

2 and 2-1/2 in. (51 and 64 mm) Dial



20PWC-10

- For Monitoring Fuel Gas Pressure or Engine Crankcase Pressure
- Actuate Alarm or Shut Down System When Abnormal Pressure Occurs
- Combination Indicating Gage and Critical Limit Switch

Description

The PWC Series SWICHGAGE® is excellent for low pressure applications such as engine shutdown when fuel gas pressure falls to low level. Suitable for both natural gas or methane—these SWICHGAGE® instruments can also be used to monitor high engine crankcase pressure (order option “H”).

The 20 and 25 series gage mechanism is enclosed in a steel case coated to resist corrosion. The 20 series has a 2 inch (51 mm) diameter dial. The 25 series has a 2-1/2 in. (64 mm) diameter dial.

The A25 series gage has a sealed polycarbonate case and includes a 2-1/2 in. (64 mm) diameter dial.

All gages feature a polycarbonate, break-resistant lens and a polished, stainless steel bezel to help protect these rugged, built-to-last instruments.

The PWC series is available in either the SWICHGAGE® version with adjustable high and/or low switch contact(s) or in the indicating MURPHYGAGE® configuration.

The SWICHGAGE® incorporates an accurate direct-reading gage with a limit switch (low contact for fuel gas pressure; high contact for crankcase pressure) that can be adjusted from the front of the gage. The switch can be used to activate alarms and/or shut down equipment.

Specifications

Ranges:

20PWC Series

- 0-4 in. H₂O; single scale
- 0-10 in. H₂O; single scale
- 0-20 in. H₂O / 0-51 cm; dual scale
- 0-30 in. H₂O / 0-76 cm; dual scale
- 0-50 in. H₂O / 0-127 cm; dual scale

25PWC and A25PWC Series

- 0-30 in. H₂O / 0-76 cm; dual scale
- 0-50 in. H₂O / 0-127 cm; dual scale

Contact Rating: 2 A @ 30 Volts AC/DC.

Accuracy: ±3% first and last 1/3 of scale, ±2% middle 1/3 of scale.

Maximum Pressure: 2 x scale.

Process Connection: 1/8-27 NPTM brass.

Dial: White on black; single scale (inches) and dual scale (inches/centimeters).

Limit Switch Adjustment: 1/16 hex wrench.

Mounting Hole: 2-1/16 in. (52 mm).

Bezel: Polished stainless steel.

Lens: Polycarbonate.

Mounting Studs: 10-32 UNF.

Case:

- 20PWC and 25PWC Series: *Plated steel.*
- A25PWC Series: *Polycarbonate.*

Wiring (SWICHGAGE® Only):

- 20PWC Series: *One point, #6 terminal block, case ground.*
- 25PWC Series: *Wire lead; 18 AWG x 12 in. (1.0 mm² x 305 mm).*
- A25PWC Series: *#6 terminal block.*

Mounting Clamp: Plated steel.

Shipping Weight:

- 20PWC Series: *9 oz. (279 g).*
- 25PWC and A25PWC Series: *11 oz. (342 kg).*

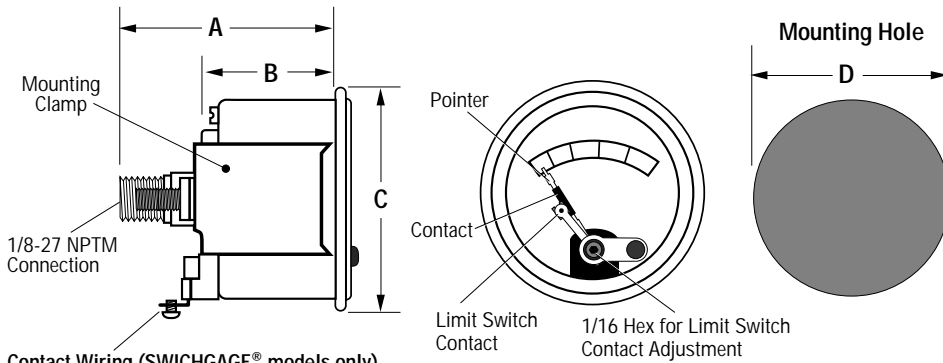
Shipping Dimensions:

- 20PWC Series: *3 x 2-3/4 x 2-3/4 in. (76 x 70 x 70 mm).*
- 25PWC and A25PWC Series: *4-3/4 x 4-3/4 x 2-3/4 in. (121 x 121 x 70 mm).*

Warranty

A two-year limited warranty on materials and workmanship is given with this Murphy product. Details are available on request and are packed with each unit.

Dimensions



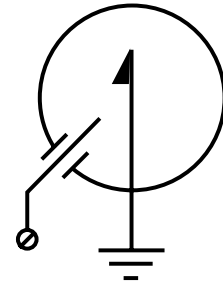
Contact Wiring (SWICHGAGE® models only)

- 20PWC Series: #6 one-point terminal block
- 25PWC Series: 18 AWG x 12 in. (1.0 mm² x 305 mm)
- A25PWC Series: #6 terminal block

	20PWC Series	25PWC Series	A25PWC Series
A	2-7/32 (56)	2-1/8 (54)	1-51/64 (46)
B	1-5/16 (33)	1-3/8 (35)	1-27/64 (36)
C	2-15/64 (57)	3-1/8 (79)	2-29/32 (74)
D	2-1/16 (52)	2-11/16 (68)	2-11/16 (68)

NOTE: Dimensions are in inches and (millimeters).

Internal Wiring



Contact Rating: 2 Amps @ 30 VAC/DC.
20PWC and 25PWC are case ground.
A25PWC is isolated ground.

How to Order

To order, use the diagram below. **NOTE:** List options in ascending alphabetical order (A-Z). Example: **20PWC-H-10**.

Base Model
20PWC
20PWC [†] (Gage-only, no contacts)
25PWC*
25PWC [†] (Gage-only, no contacts)*
A25PWC*
A25PWC [†] (Gage-only, no contacts)*
*25 Series and A25 Series available in 0-30 in. (0-76 cm) and 0-50 (0-127 cm) ranges only.

Range
4 = 0-4 in. (0-10 cm)
10 = 0-10 in. (0-25 cm)
20 = 0-20 in. (0-51 cm)
30 = 0-30 in. (0-76 cm)
50 = 0-50 in. (0-127 cm)

Options[†]	
B1 = Black bezel; low profile	HL = High and low contacts (as optional)
B2 = Bezel; raised profile (was "HP")	I = Illumination
B3 = Black bezel; raised profile (was "HBB")	J = Screwdriver adjustable face contact
EX = Explosion-proof	K = Knob adjusting face contact
EL = Explosion-proof, less case	RP = Red tipped pointer
H = High contact only (as optional)	TP = Tamperproof contact
[†] Options not available on all models or configurations.	

In order to consistently bring you the highest quality, full featured products, we reserve the right to change our specifications and designs at any time.



■ **Frank W. Murphy Manufacturer**
P.O. Box 470248; Tulsa, Oklahoma 74147; USA
tel. (918) 627-3550 fax (918) 664-6146
e-mail fwmurphy@ionet.net

■ **Frank W. Murphy Southern Division**
P.O. Box 1819; Rosenberg, Texas 77471; USA
tel. (281) 342-0297 fax (281) 341-6006
e-mail murphysd@intertex.net

■ **Frank W. Murphy, Ltd.**
Church Rd.; Laverstock, Salisbury SP1 1QZ; U.K.
tel. +44 1722 410055 fax +44 1722 410088 tlx 477088
e-mail sales@fwmurphy.co.uk

■ **Frank W. Murphy Pte., Ltd.**
26 Siglap Drive; Republic of Singapore 456153
tel. +65 241-3166 fax +65 241-8382
e-mail fwmsales@fwmurphy.com.sg

■ **Murphek Pty., Ltd.**
1620 Hume Highway; Campbellfield, Vic 3061; Australia
tel. +61 3 9358-5555 fax +61 3 9358-5558

■ **Murphy de México, S.A. de C.V.**
Blvd. Antonio Rocha Cordero 300, Fracción del Aguaje
San Luis Potosí, S.L.P.; México 78384
tel. +52-48-206264 fax +52-48-206336
e-mail murmexsl@infosel.net.mx

■ **Murphy Switch of California**
P.O. Box 900788; Palmdale, California 93590; USA
tel. (805) 272-4700 fax (805) 947-7570
e-mail sales@murphyswitch.com

■ **Frank W. Murphy France**
tel. +33 1 30 762626 fax +33 1 30 763989