

PowerView™ - Model PV10 – Diagnostic Display



Features

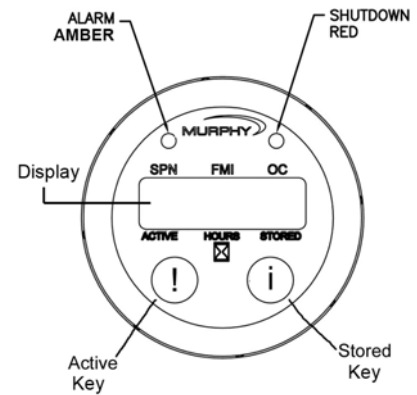
- Display supports electronically controlled engines and equipment applications that use SAE J1939 Controller Area Networks.
- Displays Active and Stored diagnostic trouble codes for diagnosing equipment malfunctions.
- Displays Engine Hours, SPN, FMI, and OC information on a graphic display.
- Provides enhanced visual alarm indication using Ultra-bright ALARM or SHUTDOWN LEDs (amber and red).
- Simple installation and connections to the system bus.
- Rugged design for demanding applications includes backlit display and is sunlight viewable.

Product Description

The PV10 Diagnostic display is a CAN device that receives data from a controller or ECU and then displays Active and Stored Fault messages and Engine Hours.

The default mode provides hourmeter data from the ECU for cumulative engine hours.

The PV10 is equipped with two buttons to quickly select between Active or Stored Faults, a graphic display, two LED to indicate the Active fault's Alarm or Shutdown status in a sealed enclosure that matches the PowerView line of gages.



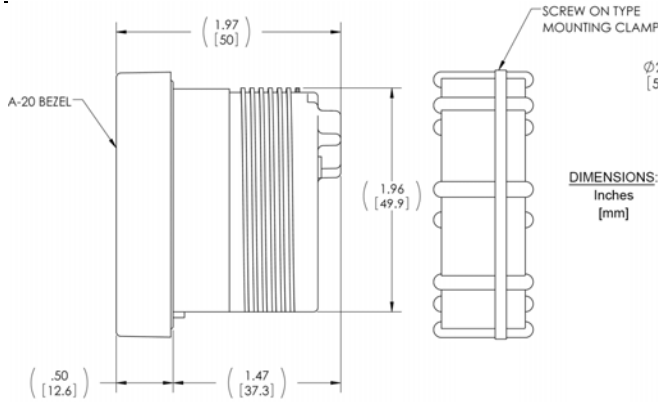
Fault Messages

Fault messages are formatted to display SPN (Suspect Parameter Number), FMI (Failure Mode Indicator) and OC (Occurrence Count) codes that conform to the SAEJ1939 protocol.

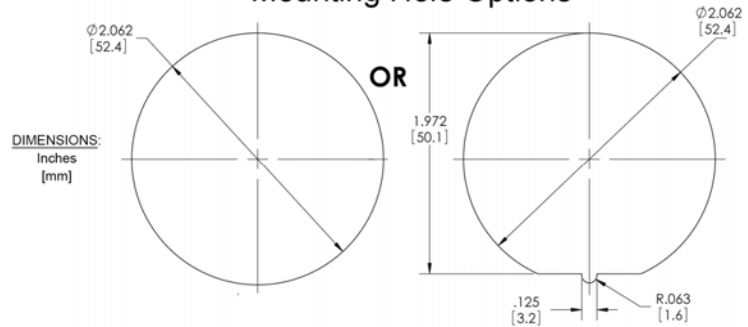
Bezel Styles

AB A-20 Style	A A-20 Style	BB Low Profile SAE Style	DB Low Curved Style

Product Dimensions



Mounting Hole Options



Specifications

Operating Voltage

- 6.0 VDC minimum to 36 VDC maximum

Power Supply Operating Current

- 460mA max @ 12VDC
- 810mA max @ 24VDC

Reversed Polarity: Withstands reversed battery terminal polarity.

Environmental

- Operating Temperature:** -40°C to 70°C (-40°F to 158°F)
- Storage Temperature:** -55°C to 85°C (-67°F to 185°F)
- Sealing:** IP68

CAN Bus: SAE J1939 compliant

Connectors

- 4-pin AMP "Mini-universal Mate-N-Lok connector"
- AMP Plug: P/N 172338-1
- AMP Socket: P/N 171639-1 (4 each, assumes 18 gauge wire. See AMP Plug specification to match socket and wire size.)

Maximum Panel Thickness: 3/8 inch (9.6 mm)

Shipping Weights (all models): 0.2 lb. (0.1 kg.)

Shipping Dimensions (all models): 3-7/8 x 2-3/4 x 2-3/4 in. (98.4 x 69.85 x 69.85 mm)

How to Order

PV10 - A

Bezel Type (flat lens)

- A = A20 (Brushed Silver)
- AB = A20 (Black)
- BB = Low profile SAE (Black)
- DB = Low Curved (Black)

Accessories

Wiring Harness, PVW-PDA-12 PowerView 10 CAN and Power (P/N 78-00-0613)

Wiring Harness, PA-30 PowerView 10 Loose Wiring (P/N 78-00-0614)

Terminating Resistor, PVMJR (PN 78-00-0480)

MURPHY 摩菲仪表授权经销商
CNMEC Technology (Beijing) Co., Ltd.
信德迈科技(北京)有限公司
地址: 北京市朝阳区胜古中路2号金基业大厦201室
邮编: 100029

电话: 010- 8428 2935, 8428 9077,
Http: //www.cnmec.com
Email: sales@cnmec.biz
传真: 010-8428 8762

Warranty - A limited warranty on materials and workmanship is given with this FW Murphy product. A copy of the warranty may be viewed or printed by going to www.fwmurphy.com/support/warranty.htm

In order to consistently bring you the highest quality, full featured products, we reserve the right to change our specifications and designs at any time. MURPHY, the Murphy logo, MurphyLink™ and PowerView™ are registered and/or common law trademarks of Murphy Industries, Inc. This document, including textual matter and illustrations, is copyright protected by Murphy Industries, Inc., with all rights reserved. (c) 2008 Murphy Industries, Inc.