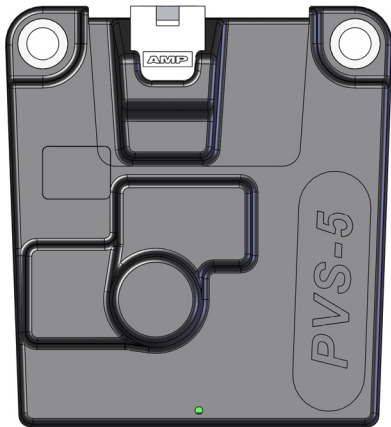


# PVS-5 Power Supply



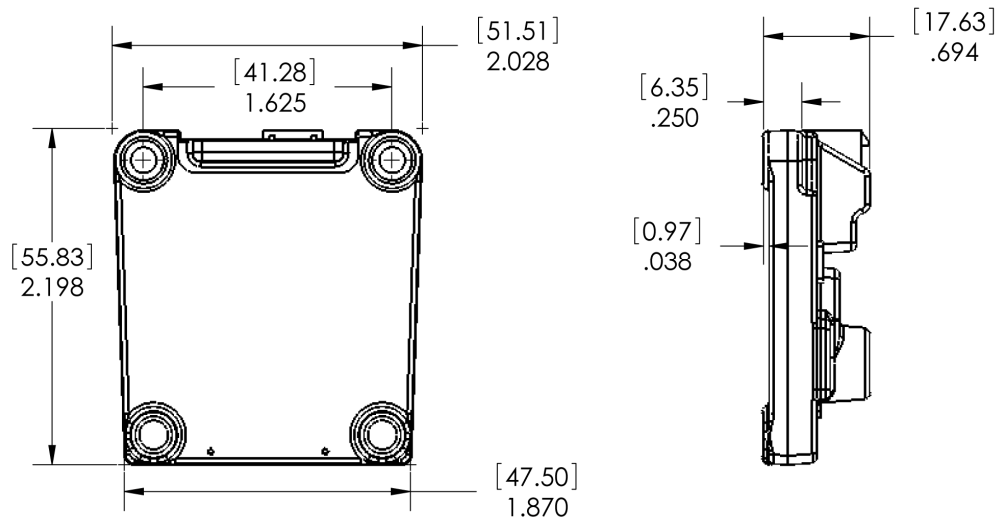
## Features

- Provides 5 Volt power supply to PVM gages
- Capable of supplying power to a maximum of 6 PVM gages
- Enables PVM gage compatibility with existing MurphyLink products
- Easy mounting and installation

External power is required to make the PVM gage line compatible with existing MurphyLink products, i.e. PV1000, Cascade, iGUARD and eGUARD. The PVS-5 power supply device supplies 5 Volts of external power and load dump protection for up to 6 PVM gages. The maximum length of the power and data connection between gages is 0.5meters (8.5 meters total).

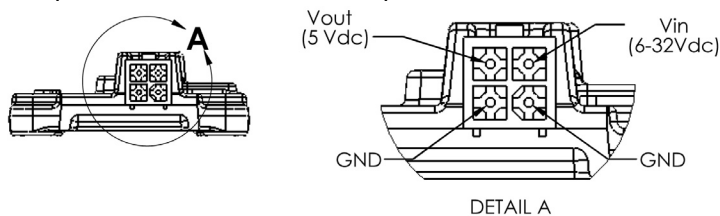
The unit may be installed inside a panel or behind a dash.

## Product Dimensions



## Wiring Diagram

The pin out information for the 4 pin connector is shown below.



**Mating Connector** – Tyco Electronics AMP Mini Universal Mate-N-Lok Plug Housing 4 Position, AMP P/N 172338-1  
Murphy P/N 00-00-6935

## Specifications

### Input Voltage:

- 6 VDC minimum to 32 VDC maximum
- 12/24 VDC Nominal

**Output Voltage:** 5 VDC @ 450mA maximum

**Reverse Polarity Protection:** -36VDC

**Overvoltage Protection:** +36VDC and above

**Overcurrent Protection:** 600mA @ 36VDA maximum

**Connector:** AMP 1-770968-1

**Operating Temperature:** -40°F to 185°F (-40°C to +85°C)

**Storage Temperature:** -40°F to 221°F (40°C to +105°C)

**Random Vibration:** 5-2,000 Hz

**Operating Shock:** 50G

**Certification:** CE

**Case Material:** Polyamide


**Dimensions:** 2"x2"x.75"

**Mounting Hole Dimensions:** Two #8 screws, 1.625" offset

## How to Order

P/N 78-70-0383 - PVS-5 Power Supply

## Accessories

Model	Wiring harness Rendering	Wiring Harness Designation Schematic	Part Number
<b>PVWM-J</b> PVM Gage Harness		<p style="text-align: center;"><b>PVWM - J - 9</b></p> <div style="display: flex; justify-content: space-between;"> <div style="border: 1px solid black; padding: 2px;">                         PowerView                          Jumper                          Harness                     </div> <div style="border: 1px solid black; padding: 2px;">                         Length:                         <ul style="list-style-type: none"> <li>- 9 : 9 in. (229 mm)</li> <li>- 12 : 12 in. (305 mm)</li> <li>- 24 : 24 in. (607 mm)</li> </ul> </div> </div>	<b>78-00-0479</b> <b>78-00-0490</b> <b>78-00-0503</b>

MURPHY摩菲仪表授权经销商

CNMEC Technology (Beijing) Co.,Ltd.

信德迈科技(北京)有限公司

地址：北京市朝阳区胜古中路2号金基业大厦201室

邮编：100029

电话：010- 8428 2935, 8428 9077,

Http：//www.cnmec.com

Email: sales@cnmec.biz

传真：010-8428 8762

**Warranty** - A limited warranty on materials and workmanship is given with this FW Murphy product. A copy of the warranty may be viewed or printed by going to [www.fwmurphy.com/support/warranty.htm](http://www.fwmurphy.com/support/warranty.htm)