


PowerView™ PV101-A-HAZ & PV101-C-HAZ

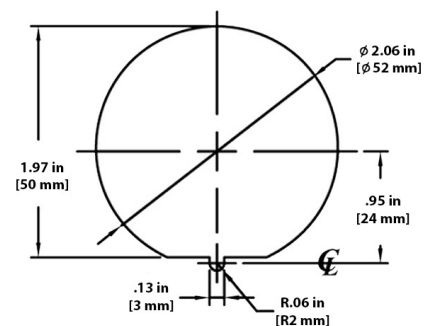
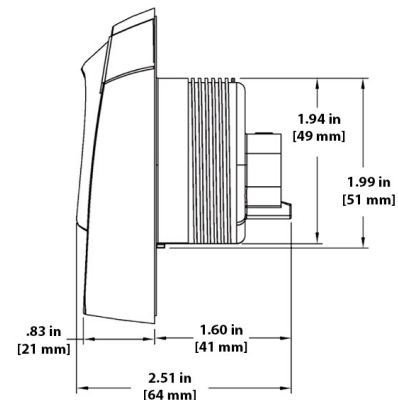
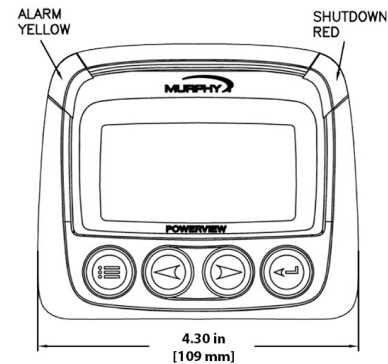
The PowerView PV101 display is a multifunction tool that enables equipment operators to view standard engine and transmission parameters as well as active and stored trouble codes. The device can show a single parameter or display four parameters simultaneously. Diagnostic capabilities include codes with text description for most common fault conditions. The enhanced alarm indicators have ultra-bright alarm and shut-down LEDs (amber and red). The HAZ models of the PV101-C and PV101-A have many features including:

- ATEX Certified, Zone 2, Category 3G  II 3G IIC T3 Ta = -10°C to 70°C (14°F to 158°F)
- Tier 4 Emissions Implementation (PV101-C only) – Three icons indicating Active Regeneration, Inhibit Regeneration and Diesel Particulate Filter (DPF) Restricted. Menu offers Auto DPF Regen and Request DPF Regen.
- OEM Menu – A password protected menu offers access to MODBUS Setup, Engine Speed Control ON/OFF and other critical menu items that require restricted access.
- TSC1 (Torque Speed Control) (PV101-C only) – Allows user to set run speed via CAN if supported by engine manufacturer.
- Additional 4-Up Screen (PV101-C only) – Allows user to have two 4-Up screens to toggle between. Second user configurable screen is defaulted to show Tier 4 parameters: DEF Level (Diesel Exhaust Fluid Level), DPF Active Regen Status, Exhaust Filter Outlet Temp and Exhaust Filter Inlet Temp.
- Multiple language options – Russian, Czech, Brazilian Portuguese, Chinese and Japanese models have been added to the line of existing languages (English, Spanish, French, German and Italian).
- Sender Input – Select between backlight dimmer function or fuel level. Can be calibrated to use non-Murphy fuel senders.
- Service Reminders – Five service reminders allow users to set hours for: Change Engine Oil, Change Air Filters, Change Hydraulic Oil, Service Engine and Service Machine.
- Select Source Address – Select which address the PV101 will claim on the bus.
- Select CAN bus Data Rate – Allows user to select CAN bus data rate.
- PV101-C Configuration Tool (PV101-C only) – PC tool allows users to create, view, edit and download configurations for the PV101.
- The PV101-C Display Gauges – Compatible with PVA and PVM gauges, as well as additional J1939 I/O modules.

The MurphyLink system includes the microprocessor-based PowerView Analog (PVA) Gages for displaying critical engine data broadcast by an electronic engine or transmission's Engine Control Unit (ECU). Other components include engine RPM, oil pressure, coolant temperature and system voltage. A combination audible alarm/relay unit offers warning and shut-down alerts. Up to 32 components may be linked to the PowerView using a simple daisy chain wire connection scheme using RS485. The PowerView and all connected components can be powered by either 12- or 24-volt systems.



Product Dimensions



MOUNTING HOLE

Specifications

Operating Voltage

12/24V (8-32 VDC minimum and maximum voltage)

Reversed Polarity

Withstands reversed battery terminal polarity indefinitely within operating temperatures.

Environmental

ATEX Operating Temperature: -10°C to 70°C (+14°F to 158°F)

Storage Temperature: -40°C to 85°C (-40°F to 185°F)

Environmental Sealing: IP68, ±5 PSI (±34.4 kPa)

Power Supply Operating Current

(@ 14VDC) 52 mA min: 300mA max

(@ 32VDC) 1A max (with LCD heater)

CAN bus: SAE J1939 compliant

Case: Polycarbonate / polyester

Maximum Panel Thickness: 3/8 inch (9.6mm)

Resistive Input: (user selectable as one of the following)

Backlighting Potentiometer: 1K Ohm, 1/4 W

Murphy Fuel Sender: 33 Ohm full, 240 Ohm empty set from the factory or programmable to work with non-Murphy fuel senders.

Fuel Sender Input: 33 Ohm full, 240 Ohm empty set standard from factory for use with Murphy Fuel Sender. Programmable for use with non-Murphy fuel senders.

Shipping Weights (all models): 1 lb. (450g)

Shipping Dimensions (all models):

5 x 6 x 6 in. (127 x 152 x 152 mm)

Clamp: PBT

Connectors: 6-pin Deutsch DT Series

How To Order

| Part Number | Model and Description | Notes |
|-------------|---|---|
| 78700248 | PV101-A-HAZ: Murphy Standard, Hazardous Environment | English, Spanish, French, Italian German |
| 78700581 | PV101-C-HAZ: Murphy Standard, Hazardous Environment | English, Spanish, French, Italian German |
| 78700428 | PV101 Shield: Impact Shield Assembly | |
| 78700430 | HAZ Environment Kit: PV101-A-HAZ w/PV101 Shield | English, Spanish, French, Italian German |