



MURPHY®

THE HELMVIEW™ 450

COMPACT, CONFIGURABLE DISPLAY FOR COMMERCIAL MARINE VESSELS



Configurable J1939
CAN-based Display

Compatible with Electronic
and Mechanical Engines

Bonded LCD Screen, Viewable
in Direct Sunlight

Easy-to-use Operator Interface

Rugged/Reliable Design
for Marine Applications

Over 15 Standard Marine
Screens Available for Single
or Twin Engine Boats



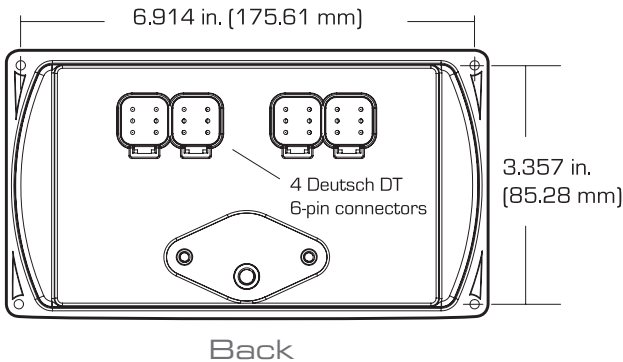
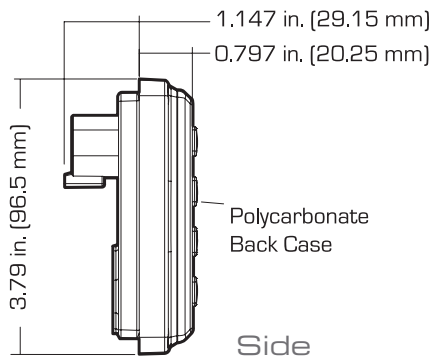
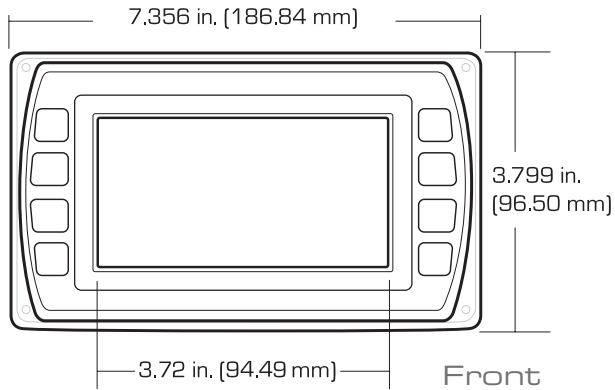
The HelmView 450 is a compact, fully configurable display that integrates electronic engine, transmission and vessel information into an easy to read, full-color interface.

The HelmView Model HVS450 features a 4.3-inch screen perfect for vessels with space limitations, and it delivers the same powerful performance as Murphy's larger configurable displays. In addition, the display comes preloaded with a standard marine software configuration that includes single and dual engine monitoring, fuel usage

monitoring, tank levels and more. Operators also have the option to choose red or blue night mode views, deselect screens, and integrate video monitoring.

Customize the HelmView display with Murphy's PowerVision Configuration Studio™, a powerful tool that allows you to create custom configurations for unique commercial marine applications – including tug boats, fishing vessels, search and rescue, cargo and more.

STANDARD DIMENSIONS



TECHNICAL SPECS:

- Display: Bonded 4.3"/109mm color transmissive TFT LCD
- Resolution: WQVGA, 480 x 272 pixels, 16-bit color
- Aspect Ratio: 16:9
- Orientation: Landscape
- Backlighting: LED, 500-650 cd/m² (30,000 hr lifetime)
- Microprocessor: Freescale iMX357, 32bit, 532MHz
- Operating System: QNX Real-Time
- Flash Memory: 256 MB
- RAM: 128MB DDR2 SDRAM
- USB 2.0 host (full speed)
- Operating Voltage: 6-32 VDC, reverse polarity and load-dump protected
- Power Consumption: 10W max
- CAN: Two CAN 2.0B; one with NMEA 2000 isolation
- Protocols: J1939, NMEA 2000, CANopen, Freeform CAN
- RS 485: 1 MODBUS® Master/Slave port; PVA gage compatibility
- Video input: Two (2) NTSC/PAL input channels (one displayed at a time)
- Connection: 4 Deutsch DT 6-pin connectors
- Keyboard: 8 tactile buttons
- Input: 1 Resistive, 0-5V, or 4-20mA (software configurable)
- Output: 1 open-drain, capable of syncing 500mA
- Real-Time clock with rechargeable Li-ion battery

ENVIRONMENTAL SPECS:

- Operating Temperature: -40°C to 85°C (-40° to 185°F)
- Storage Temperature: -40°C to 85°C (-40° to 185°F)
- Protection: IP67, front and back
- Electromagnetic Compatibility: 2004/108/EC
 - EN 61000-6-4
 - EN 61000-6-2 (immunity)
 - EN 501121-3-2
 - EN 12895 J1113/2, 4, 11, 12, 21, 24, 26 and 41
- Vibration: 7.86G random vibs (5-2,000Hz) in 3 axis
- Shock: ±50G in 3 axis

* MODBUS is a registered trademark of its respective owner and is not affiliated with FW Murphy.

FW MURPHY

5311 South 122nd East Avenue
Tulsa, Oklahoma 74146 USA
Phone: +1 918 317 4100 Fax: +1 918 317 4266
E-mail: sales@fwmurphy.com
Web: www.fwmurphy.com

ECONTROLS, INC

5757 Farinon Drive
San Antonio, Texas 78249 USA
Phone: +1 210 495 9772 Fax: +1 210 495 9791
E-mail: info@econtrols.com
Web: www.econtrols.com

FWM INDUSTRIAL PANEL DIVISION

5311 South 122nd East Avenue
Tulsa, Oklahoma 74146 USA
Phone: +1 918 317 4100 Fax: +1 918 317 4124
E-mail: ipdsales@fwmurphy.com
Web: www.fwmurphy.com

FRANK W. MURPHY, LTD

Church Road, Laverstock
Salisbury SP1 1QZ UK
Phone: +44 1722 410055 Fax: +44 1722 410088
E-mail: sales@fwmurphy.co.uk
Web: www.fwmurphy.co.uk

FW MURPHY INSTRUMENTS (HANGZHOU) CO. LTD

77 23rd Street
Hangzhou Economic & Technological Development Area
Hangzhou, Zhejiang 310018 China
Phone: +86 571 8788 6060 Fax: +86 571 8684 8878
E-mail: apsales@fwmurphy.com
Web: www.fwmurphy.com/company_ch

FW MURPHY (LATIN AMERICA & CARIBBEAN)

Apdo. Postal 2-06, Admon. "Lomas" Cord. Arakan 606-16
Lomas 4th Sección 78211, San Luis Potosí, S.L.P., México
Phone: +1 918 317-2500
E-mail: lasales@fwmurphy.com
Web: www.fwmurphy.com

FW MURPHY INDIA

301, 3rd Floor, Krsna Chambers
11, Galaxy Garden, North Main Road,
Koregaon Park, Pune - 411001, Maharashtra, India
Phone: +91 91581 37633
E-mail: indiasales@fwmurphy.com
Web: www.fwmurphy.com

FW MURPHY (SOUTH KOREA)

Seongnam, South Korea
Phone: +82 70 7951 4100
E-mail: skoreasales@fwmurphy.com
Web: www.fwmurphy.com



USA-ISO 9001:2008 FM 28221
UK-ISO 9001:2008 FM 29422
CHINA-ISO 9001:2008 FM 52385
Registered Facilities

