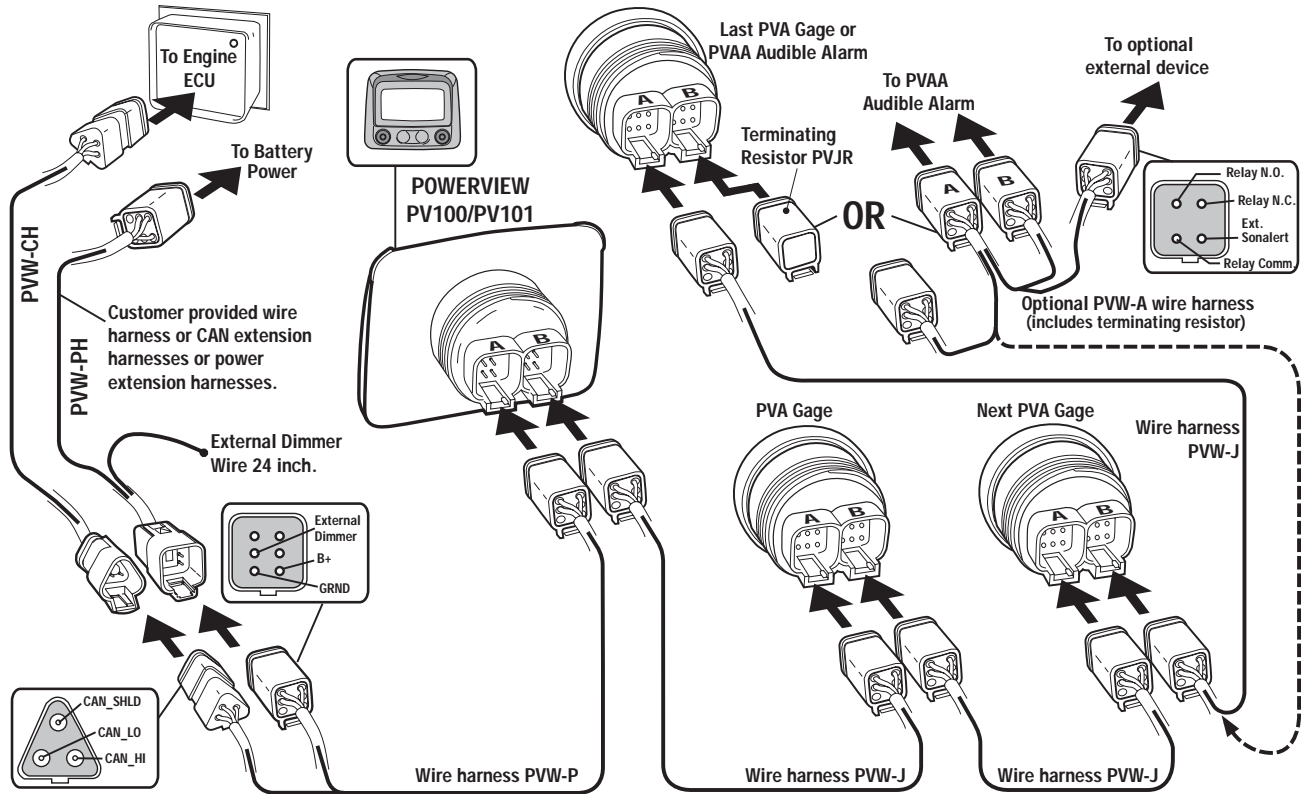


Wiring Harness Accessories for PowerView Model PV100/PV101 and PVA Gages

Use the Easy Connect Diagram (shown below) to help you locate the wiring harness you need. The charts (below the diagram) include the harness accessories' part number, a brief description of the item and a designation schematic to help you with selection of wiring leads length (if applicable).



Model	Wiring Harness Rendering	Wiring Harness Designation Schematic	Part Number
PVW - P - 12 CAN and Power Harness for PowerView Module	Length: 12 in. (305 mm)	$PVW - P - 12$ CAN and Power Harness (includes 120Ω CAN resistor)	78000124
PVW - J PowerView Jumper Harness		$PVW - J - 9$ PowerView Jumper Harness Length: - 9 : 9 in. (229 mm) - 12 : 12 in. (305 mm) - 24 : 24 in. (607 mm)	78000121 78000122 78000123
PVW-A-12 PowerView Audible Alarm Jumper Harness: Provides alarm relay contacts for external devices.	3 Relay Contacts PVAA Gage	$PVW - A - 9$ Audible Alarm Jumper Harness Includes terminating resistor. Length: - 9 : 9 in. (229 mm) - 12 : 12 in. (305 mm) - 24 : 24 in. (607 mm)	78000153 78000154 78000155
PVJR Terminating Resistor		$PVJR$ Use on last PVA Gage in a series – not needed for PV100	78000128

Model	Wiring Harness Rendering	Wiring Harness Designation Schematic	Part Number
PVW-CH PowerView CAN Extension Harness		<p style="text-align: center;"><u>PV W - CH - 72</u></p> <div style="display: flex; justify-content: space-around;"> <div style="border: 1px solid black; padding: 5px;">PowerView CAN Extension Harness</div> <div style="border: 1px solid black; padding: 5px;"> Length: - 72 : 72 in. (1.82 m) - 144 : 144 in. (3.65 m) - 240 : 240 in. (6.10 m) - 360 : 360 in. (9.10 m) </div> </div>	78000157 78000158 78000159 78000160
PVW-PH PowerView Battery Power Extension Harness		<p style="text-align: center;"><u>PV W - PH - 72</u></p> <div style="display: flex; justify-content: space-around;"> <div style="border: 1px solid black; padding: 5px;">PowerView Battery Power Extension Harness</div> <div style="border: 1px solid black; padding: 5px;"> Length: - 72 : 72 in. (1.82 m) - 144 : 144 in. (3.65 m) - 240 : 240 in. (6.10 m) - 360 : 360 in. (9.10 m) </div> </div>	78000149 78000150 78000151 78000152
PVW-K PowerView Wiring Kit Includes: (1) PVW-P (4) PVW-J (1) PVJR		<p style="text-align: center;"><u>PV W - K - 12</u></p> <div style="display: flex; justify-content: space-around;"> <div style="border: 1px solid black; padding: 5px;">Kit</div> <div style="border: 1px solid black; padding: 5px;"> Length: - 12 : 12 in. (305 mm) - 24 : 24 in. (607 mm) </div> </div>	78000188 78000189
PVW-PW-30 PowerView CAN & Power Loose Wiring	<p>Length: 30 in. (762 mm)</p>	<p style="text-align: center;"><u>PV W - PW - 30</u></p> <div style="border: 1px solid black; padding: 5px; text-align: center;"> PowerView CAN & Power Loose Wiring (Includes 120 ohm CAN resistor) </div>	78000125
PVW-CC-24 PowerView CAN Loose Wiring	<p>Length: 24 in. (607 mm)</p>	<p style="text-align: center;"><u>PV W - CC - 24</u></p> <div style="border: 1px solid black; padding: 5px; text-align: center;"> PowerView CAN Loose Wiring </div>	78000127
PVW-PC-24 PowerView Power Loose Wiring	<p>Length: 24 in. (607 mm)</p>	<p style="text-align: center;"><u>PV W - PC - 24</u></p> <div style="border: 1px solid black; padding: 5px; text-align: center;"> PowerView Power Loose Wiring </div>	78000126
PVW-CT PowerView CAN Loose Wiring		<p style="text-align: center;"><u>PV W - CT</u></p> <div style="border: 1px solid black; padding: 5px; text-align: center;"> CAN BUS tee Wiring Harness </div>	00009510