

PowerView® Analog Gages PVA Series

The PowerView Analog Gages (PVA) are a series of intelligent gages designed to display easy-to-read information transmitted by the PowerView. The PVA gages communicate with the PowerView via a single RS485 twisted pair MODBUS RTU serial link. The gages can be daisy-chained using quick-connect harnesses with watertight connectors.

The major feature of the PVA gage is its balance between design and functionality. These modern gages offer a selection of lens and bezel styles and colors.

The PVA gages also include features such as a smooth stepper motor operation for the 270-degree sweep pointer, an environmentally sealed case with two Deutsch DT style connectors molded into the case and green LED backlighting.

They are available for standard 2-1/16-inch (52mm) and 3-3/8-inch (86mm) diameter mounting hole sizes. In addition, the polycarbonate/polyester alloy cases incorporate a D shape allowing panel cutouts that eliminate gage rotation during installation.

The PowerView Audible Alarm (PVAA) alerts operators to fault conditions via piezoelectric alarm and relay contacts. It also has a temporary silencer button that silences the audible tone for two minutes on warnings and 30 seconds on shutdown conditions. All PowerView gages can be powered by 12- or 24-VDC systems.

Specifications

Power Supply Input: 12/24 V (8-32 VDC min/max voltage)

Power Supply Operating Current: (@ 14 VDC) =

PVA20, PVA35: 28 mA minimum; 52 mA maximum

PVAA20: 19 ma minimum; 46 mA maximum

Backlight Maximum Current: 24 mA (Not valid for PVAA20)

Input: RS485 MODBUS RTU Data

Output: Analog readout

Operating Temperature: -40° F to 185° F (-40° C to 85° C)

Storage Temperature: -76° F to 185° F (-60° C to 85° C)

Dial: White text over black background

Indicating Pointer: Stepper motor Operation with 270° sweep

Gage Accuracy: Better than ± 1% of full scale

Environmentally Sealed Enclosure:

Sealing: IP68, ±5 psi (±34.4 kPa)

Case Materials: Polycarbonate/Polyester (PC+PBT)

Clamp Materials: Polyester (PBT)

Lens Material: Polycarbonate

Bezel Material: ABS

Maximum Panel Thickness: 3/8 inch (9.6 mm)

Connectors: 6-pin Deutsch DT06 Series

The following items apply only to PVAA20

Sound Output Level: 90 dB @ 30cm

Relay Rated Load: 0.5 A, 125 VAC; 1 A, 24 VDC

Relay Maximum Switching Capacity: 62.5 VA, 30 W

External Audible Alarm Output: 28 VDC, 30 mA maximum current sink

Temporary Silence Button: Charge transfer technology

Vibrations: Random: 7.86 Grms (5-2,000 Hz), 3 axes

Shock: ± 50G, 3 axes

Electromagnetic Compatibility:

PVA: 2014/30/EU & 2014/35/EU

IEC 60945: 2002 (CISPR 16-1 & 16-2-1)

PVAA: 89 / 336 / EEC

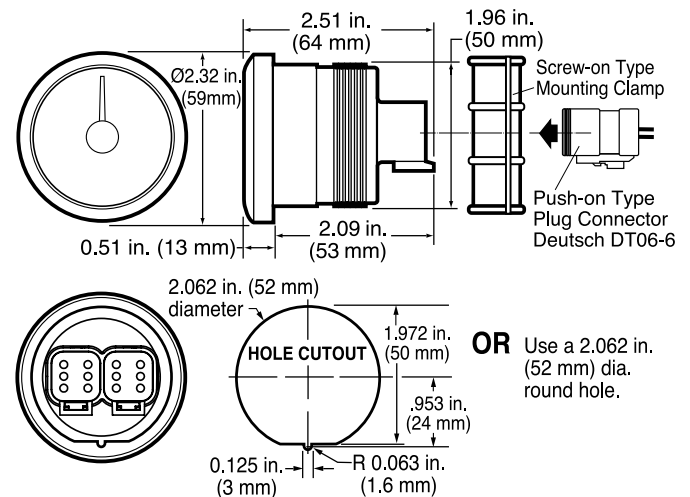
EN 61000-6-4 : 2001

EN 61000 -6-1 : 2001



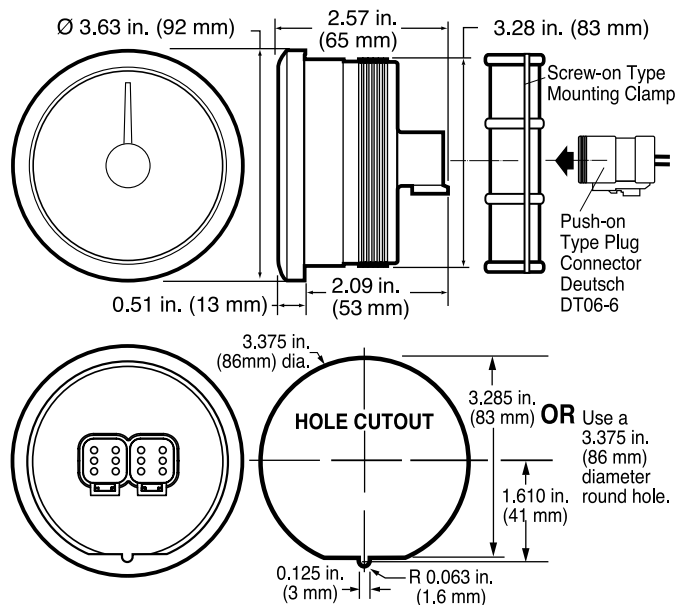
Dimensions

PVA20/PVAA20 Series - Typical Gage Dimensions



OR Use a 2.062 in. (52 mm) dia. round hole.

PVA35 Series - Typical Gage Dimensions



OR Use a 3.375 in. (86 mm) diameter round hole.

Available Bezels

A-20 Style

Low Profile SAE Style

Contemporary Style

Gauges available in the PVA20, PVA35 and PVAA20 Models

AB Bezel Type



A Bezel Type

BB Bezel Type



B Bezel Type

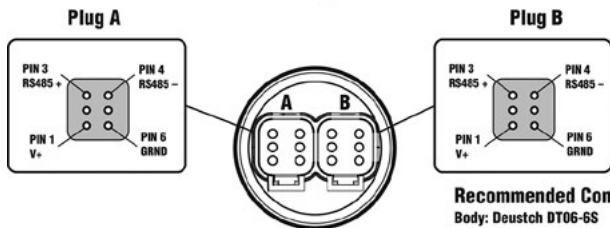
EB Bezel Type



E Bezel Type

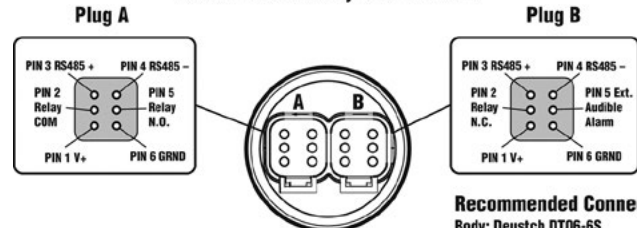
Pinout

PowerView Gages Back View
Deutsch DT06-6S Style Connections



Recommended Connectors:
Body: Deutsch DT06-6S
Wedge Lock: W6S
Terminals: 0462-201-16141
Sealing Plug: 114017

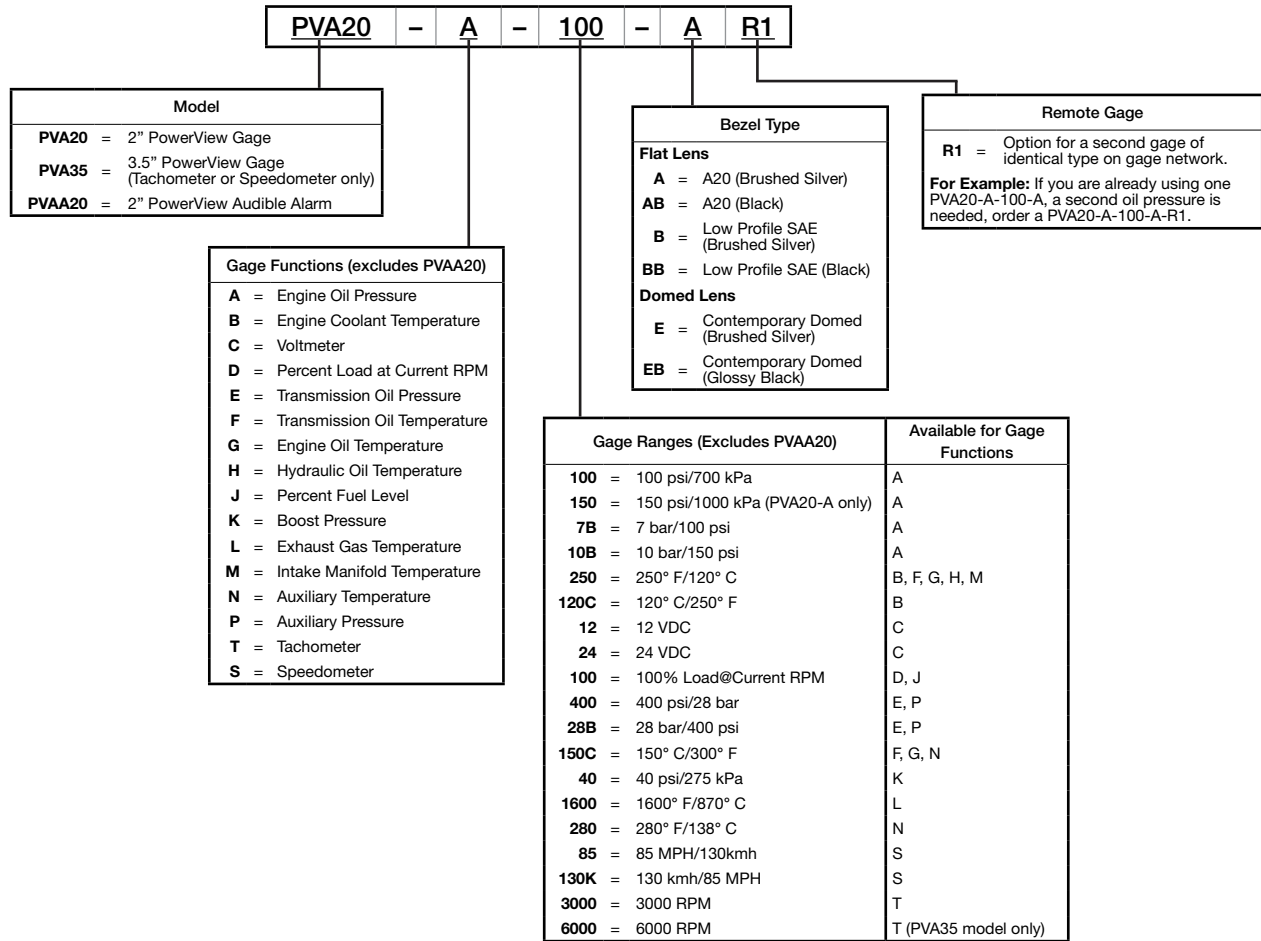
PowerView Audible Alarm Back View
Deutsch DT06-6S Style Connections



Recommended Connectors:
Body: Deutsch DT06-6S
Wedge Lock: W6S
Terminals: 0462-201-16141
Sealing Plug: 114017

How To Order

Options listed below. All configurations may not be available. Call your sales representative or Enovation Controls for more information.



Shipping Weight: 1 lb. (450 g) All models

Shipping Dimensions: 6 x 6 x 6 in. (153 x 153 x 153 mm) All models

This Page Has Intentionally Been Left Blank