



MURPHY®

by **ENOVATION** CONTROLS

POWERVERIEW® 780B

Pending Q3 Release

MORE POWER AND MEMORY FOR ENHANCED USER EXPERIENCE



Added connectivity with
Bluetooth and Wi-Fi

Boasts faster processor
and more memory

CAN-based display with rich,
full-color graphics

Compatible with mechanical
and electronic engines

Bonded glare-free LCD screen

Superior visibility even in sunlight



The PowerView 780B offers all the features of Murphy's popular PV780 with more power and memory. With its faster processor, this version of the full-color display adds more connectivity with Bluetooth and Wi-Fi capabilities. In addition, the flash storage for the PV780B has doubled to 8GB.

The full-featured, configurable display integrates vital engine, transmission and diagnostic information into an easy-to-read operator interface. The 1000-nit 7-inch screen

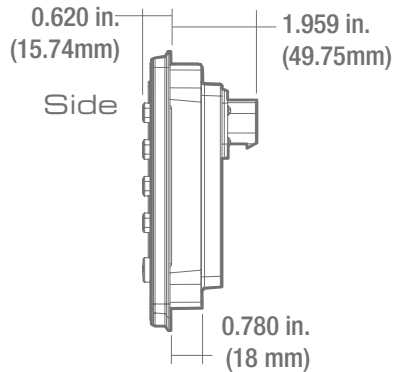
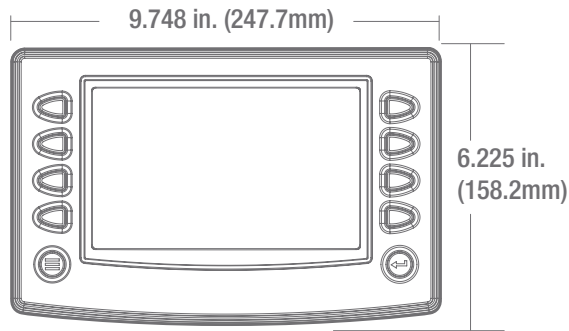
can easily be viewed, even in full sunlight. The display's bonded LCD and rugged design make it a perfect solution for all types of environments and applications.

Customization of the display can be accomplished quickly via graphical programming or scripting with the PowerVision Configuration Studio® software.

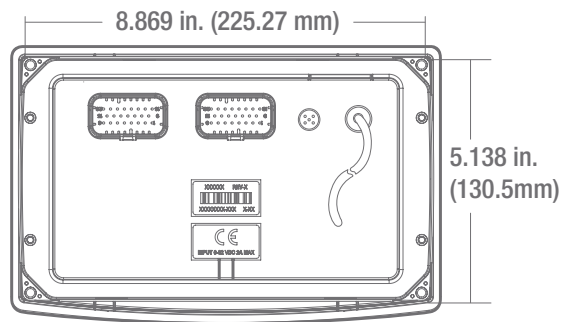
POWVIEW[®] 780B

DIMENSIONS

Front



Back



SPECIFICATIONS

COMPUTING:

- Main Processor: Renesas R-Car M2, 32 Bit Arm Cortex A15 Processor, 1.5 GHz, QNX[®] Realtime Operating System
- Storage: 8 GB Flash for Operating system, Application and Configuration
- RAM: 512 MB DDR3-SDRAM
- Graphics: PowerVR SGX544MP2 (3D) (Option) Renesas graphics processor (2D)

HARDWARE:

- Display: 7" (178mm) LED backlight LVDS TFT LCD
- Color: 16-bit color
- Resolution: WVGA, 800 X 480 pixels
- Contrast Ratio: 600:1 (Typ.)
- Brightness: 1000 cd/m²
- Surface: Anti-glare and hard-coating
- Touch Panel: Glove touch PCAP
- Keypad: 10 tactile configurable soft keys with white LED backlight
- Real Time Clock: Li-Ion battery backup
- Connectors: (2) Ampseal 23 pin;
(1) M12 5 pin;
(1) USB Pig tail
- Video input: 3 NTSC/PAL (Single channel viewable)

COMMUNICATION:

- CAN: (2) CAN 2.0B according to ISO-11898-2; J1939 and CANopen; proprietary
- Serial: (1) RS-485 serial (MODBUS master/slave)
- USB: (1) USB 2.0 Full Speed Host
- Ethernet: 1 X Ethernet 10/100 Base-T
- WiFi: 802.11 b/g radio
- Bluetooth: Fully integrated Bluetooth 2.1 class 1

ELECTRICAL:

- Operating Voltage: 6 - 36 VDC, reverse polarity protected
- Outputs: (1) 500mA Switched Low-side
(1) Frequency Out (2Hz - 3KHz)
- Inputs: (3) Analog 0-5VDC, 4-20mA, or resistive, 10-bit resolution
(5) Discrete digital, active-high
(1) Frequency In (2Hz - 10kHz) 5Vpk-pk min, 120Vpk-pk max

ENVIRONMENTAL:

- Operating and Storage Temperature: -40C to +85C [-40F to +185F]
- Protection: IP66 and IP67, front and back, for outdoor use
- Vibration: 7.86 Grms (5 - 2000Hz), 3 axes
- Shock: ±50G in 3 axes
- EMC/EMI: SAEJ1113, ISO13766, E-mark (ECE R10.5), EN13309, EN 14982, CE per 2014/30/EU, FCC part 15

MURPHY[®]

by **ENOVATION CONTROLS**

CNMEC Technology (Beijing) Co., Ltd.
Add: RM2115, T1-C Tower, Wangjing SOHO,
Chaoyang District, Beijing 100102, China
Tel: 010 - 84282935 13910962635
Fax: 010 - 84288762
E-Mail: sales@cnmec.biz
Http://www.cnmec.com