

# PowerView™ PV25 Engine and Diagnostic Display

The PowerView 25 is an engine and diagnostic display in an economical, compact package. This J1939-compliant device provides electronic engine parameter data, is simple to install, matches the PowerView line of rugged displays and can be powered by 12-volt or 24-volt systems.

The PV25 is equipped with two push buttons to quickly access a convenient menu. In addition, a back-lit graphic display and two LEDs indicate Active-fault Alarm or Shutdown status.

Active and Stored Fault messages display the SPN (Suspect Parameter Number), FMI (Failure Mode Indicator) and the OC (Occurrence Count) using the SAE J1939 protocol.

The PV25 displays up to 20 standard J1939 parameters in standard or metric units. The following are some of the engine parameters of the PV25 displays:

Engine RPM	Coolant Temperature
Engine Oil Pressure	ITA/Stage IIIB Parameters
Engine Hours	Active Service Codes
System Voltage	Stored Service Codes

## Specifications

### Tier 4 / Stage IIIB/IV Compliant Ready

**Operating Voltage:** 6 VDC minimum to 36 VDC maximum

**Power Supply Operating Current:**

460mA max @ 12 VDC

810mA max @ 24 VDC

**Reversed Polarity:** Withstands reversed battery terminal polarity

**Environmental**

**Operating Temperature:** -40° to 158°F (-40 to 70°C)

**Storage Temperature:** -67° to 185°F (-55 to 85°C)

**Sealing:** IP68

**CAN Bus:** SAE J1939 compliant

**Connectors**

4-pin AMP Mini-universal Mate-N-Lok Connector

AMP Plug: P/N 172338-1

AMP Socket: P/N 171639-1 (4 each, assumes 18 gage wire. See

AMP Plug specification to match socket and wire size.)

**Maximum Panel Thickness:** 3/8 inch (9.6 mm)

**Shipping Weight:** (all models) 0.2 lb. (0.1 kg)

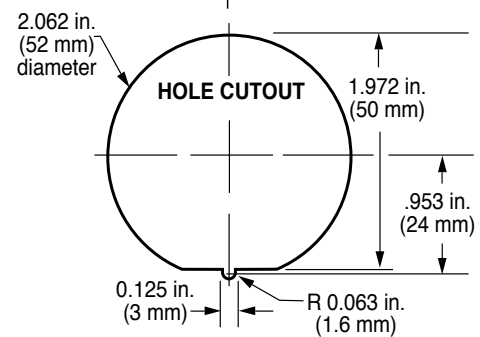
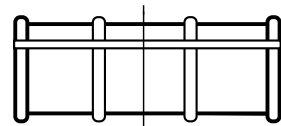
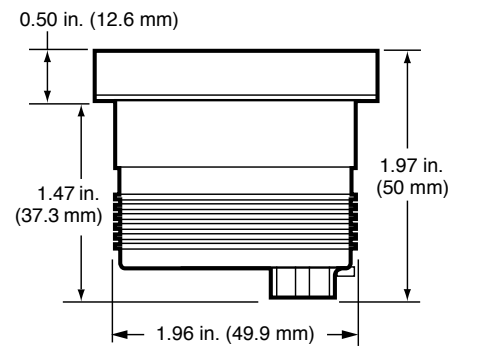
**Shipping Dimensions:** (all models)

3-7/8 x 2-3/4 x 2-3/4 in.

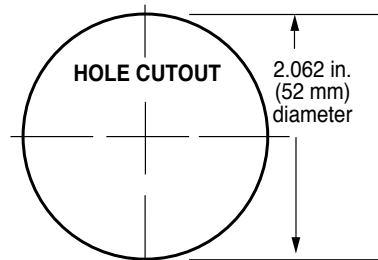
(98.4 x 69.85 x 69.85 mm)



## Dimensions

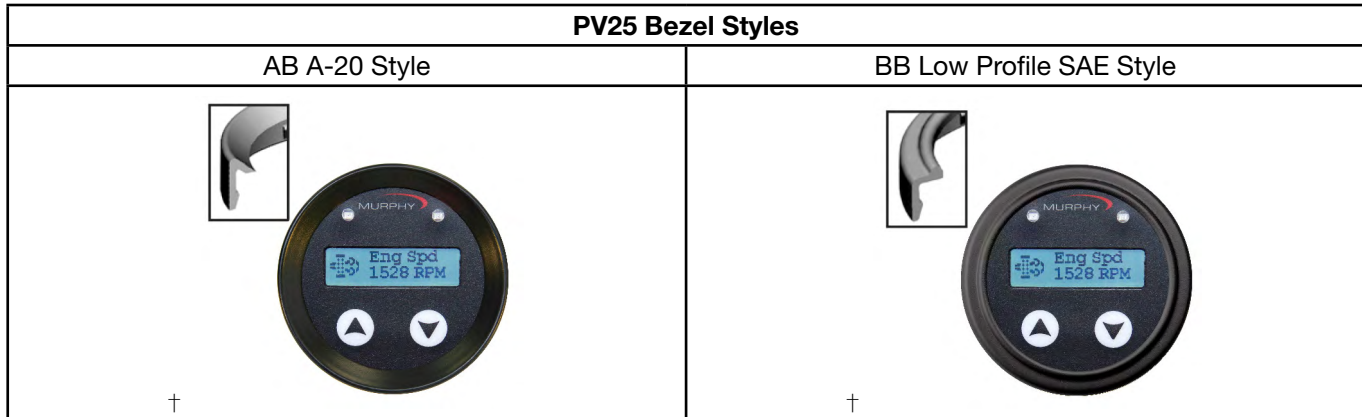


**OR**



## Bezel Options

Two Bezel styles are available. One is low profile, and both are constructed of ABS.



## How to Order

Part Number	Description	Notes
78700541	PV25 Bezel type (flat lens) AB = A20 (Black)	Displays
78700571	PV25 Bezel type (flat lens) BB = Low Profile SAE (Black)	
78000613	Wiring Harness PVW-PDA-12 PowerView 10 CAN & Power	Accessories
78000614	Wiring Harness PA-30View 10 Loose Wiring	
78000480	Terminating Resistor, PVMJRM	



CNMEC Technology (Beijing) Co., Ltd.  
 Add: RM2115, T1-C Tower, Wangjing SOHO,  
 Chaoyang District, Beijing 100102, China  
 Tel: 010 - 84282935 13910962635  
 Fax: 010 - 84288762  
 E-Mail: sales@cnmec.biz  
 Http://www.cnmec.com