

# MurphyLink® Series ML100 Panels



## Features

- Tier 4/Stage IIIB/IV Compliant/Ready
- Standard panel designed for modern electronic engines and equipment applications using SAE J1939 Controller Area Network (CAN)
- PowerView™ Model 101 displays over 50 standard SAE J1939 parameters broadcast by major engine and transmission manufacturer's ECU's
- Display active faults and ECU-stored faults with text description on most common faults for diagnosing equipment malfunctions
- Standard harnesses available for most major engine manufacturers ECU's
- Enclosed design or flat panel option

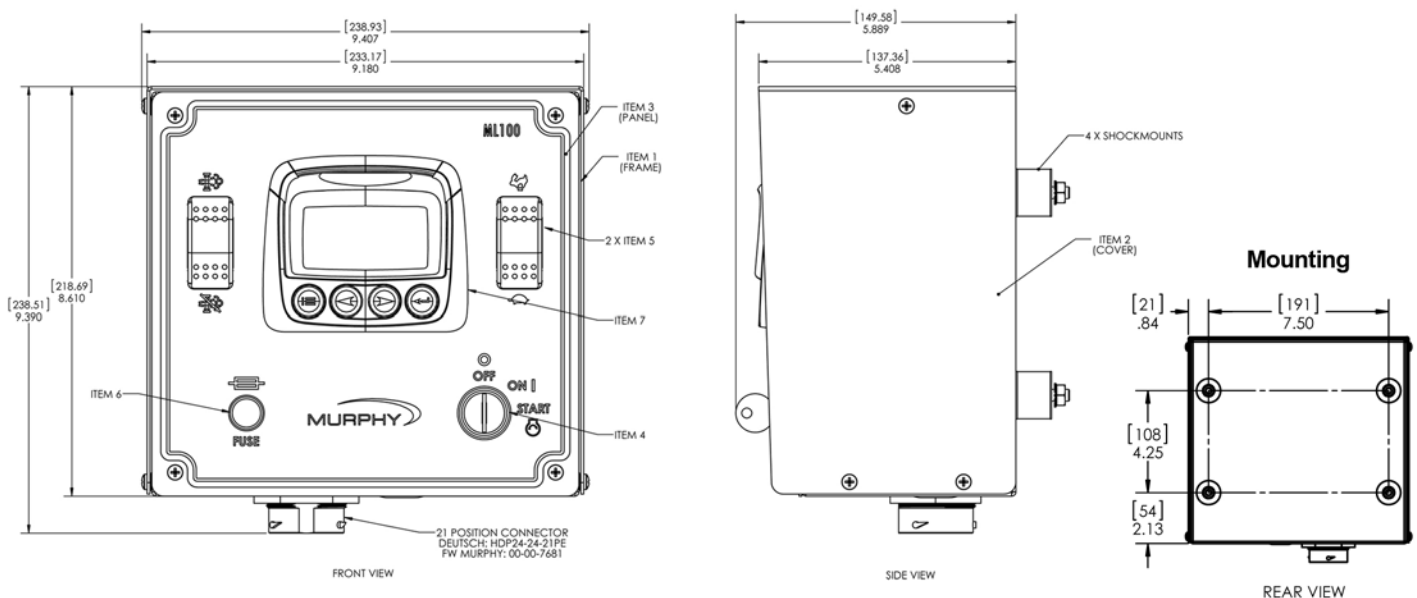
The MurphyLink® Series ML100 Panel features the PV101-C display, which was developed to meet the needs for instrumentation and control on electronically controlled engines communicating using the SAE J1939 Controller Area Network (CAN).

This basic panel contains a key switch, increment/decrement throttle and the PowerView. This standard panel can be ordered with or without an enclosure, since all of the components are assembled to a stand-a-alone flat panel. Optional mounting kits are offered for the enclosure, which provide packagers and operators numerous mounting solutions to meet multiple applications. Panel designs are offered to meet the needs of specific engine models. In addition, FW Murphy offers standard wiring harnesses for quick Plug and Go operation that interface with all the 2nd Generation MurphyLink PowerView panels.

The PV101 Display is a multifunction tool that enables equipment operators to view many different engine or transmission parameters and service codes. The PowerView includes a graphical backlit LCD screen. It has excellent contrast and viewing from all angles. The display can show either a single parameter or a quadrant display for viewing four parameters simultaneously. Diagnostic capabilities include fault codes with text translation for the most common fault conditions.

The PowerView has four buttons using touch-sensitive technology, which eliminates the concern for push button wear and failure. In addition operators can navigate the display with ease. Enhanced alarm indication uses ultra bright alarm and shutdown LED's (amber and red). The PowerView has a wide operating temperature range of -40 to +85°C (-40 to 185°F), display viewing -29 to +85°C (-20 to 185°F), and environmental sealing to +/- 5 PSI.

## Product and Mounting Dimensions



## Specifications

---

<b>Operating Voltage:</b>	12/24 VDC (6.5-32VDC Minimum and Maximum Voltage)
<b>Operating Current:</b>	1A MAX
<b>Mounting:</b>	4-.75" Rubber Isolated Shockmounts
<b>Starting Method:</b>	KeySwitch
<b>Stopping Method:</b>	KeySwitch
<b>Display:</b>	PowerView Model 101-C
<b>Indication Lamps:</b>	One red, One Amber via PV101-C Display
<b>Enclosure Material:</b>	Powder Coated Cold Rolled Steel
<b>Wiring Interface:</b>	1-Deutsch HDP 21pin Connector
<b>Throttle Method:</b>	Rocker Switch (Digital Inputs to ECU) TSC1 CAN Throttling (via PV101)
<b>Tier 4 Regeneration:</b>	CAN Enabled (via PV101) or Rocker Switch (via Digital Input to ECU)
<b>Operational Temperature:</b>	-40° to +70°C (-40° to +185°F)
<b>Viewable Temperature:</b>	-29° to +85°C (-20° to +185°F)
<b>Storage Temperature:</b>	-40° to +85°C (-40° to +185°F)
<b>Box Dimensions:</b>	15.4 X 13.4 X 8.5
<b>Shipping Weight:</b>	9.5 lbs

## How to Order

---

<i>Description</i>	<i>Throttle</i>	<i>Volt</i>	<i>Panel</i>	<i>Model Number</i>	<i>Part #</i>
PV101 Flat only	PTO Ramp	12/24	Flat	ML100-FP	<b>32700198</b>
PV101 Enclosed			Enclosed	ML100	<b>32700199</b>
PV101 Flat only w/ T4 switch	PTO Ramp T4 Rocker	12/24	Flat	ML100-T4-FP	<b>32700200</b>
PV101 Enclosed w/ T4 switch			Enclosed	ML100-T4	<b>32700201</b>



北京

信德迈科技(北京)有限公司 CNMEC Technology  
地址：北京市朝阳区安贞桥胜古中路2号金基业大厦201室  
邮编：100029  
\*Tel: 010-8428 2935 | \* Fax: 010-8428 8762  
\*手机：139 1096 2635  
\*电子邮件：sales@cnmec.biz  
主页：http://www.cnmec.com