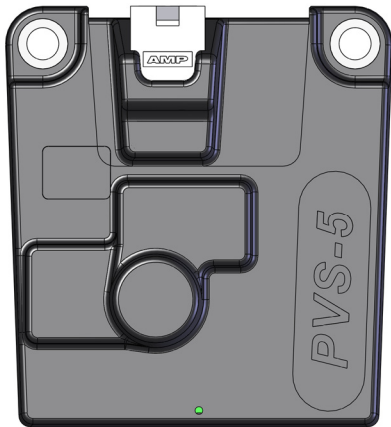


PVS-5 Power Supply



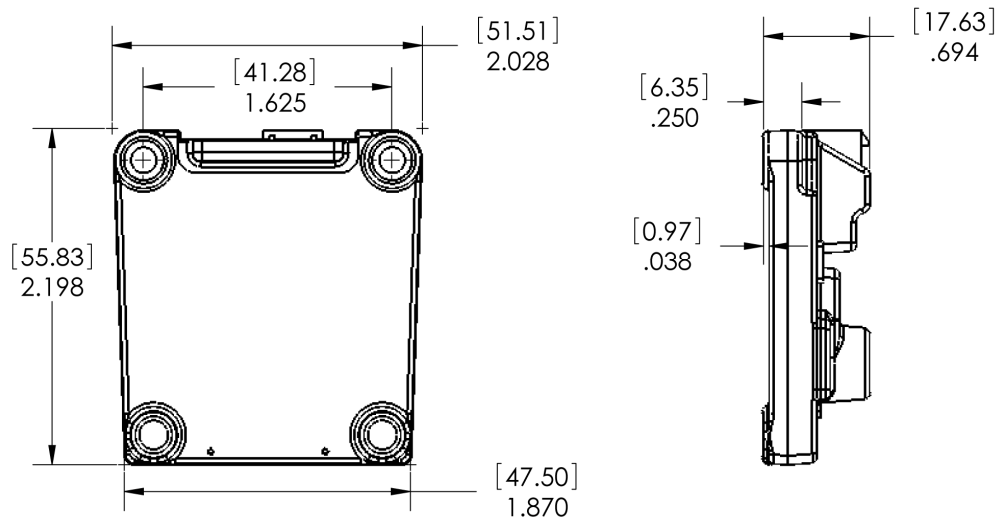
Features

- Provides 5 Volt power supply to PVM gages
- Capable of supplying power to a maximum of 6 PVM gages
- Enables PVM gage compatibility with existing MurphyLink products
- Easy mounting and installation

External power is required to make the PVM gage line compatible with existing MurphyLink products, i.e. PV1000, Cascade, iGUARD and eGUARD. The PVS-5 power supply device supplies 5 Volts of external power and load dump protection for up to 6 PVM gages. The maximum length of the power and data connection between gages is 0.5meters (8.5 meters total).

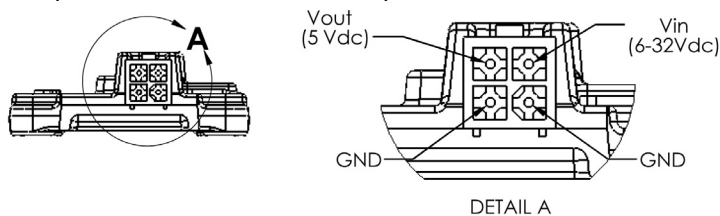
The unit may be installed inside a panel or behind a dash.

Product Dimensions



Wiring Diagram

The pin out information for the 4 pin connector is shown below.



Mating Connector – Tyco Electronics AMP Mini Universal Mate-N-Lok Plug Housing 4 Position, AMP P/N 172338-1
Murphy P/N 00-00-6935

Specifications

Input Voltage:

- 6 VDC minimum to 32 VDC maximum
- 12/24 VDC Nominal

Output Voltage: 5 VDC @ 450mA maximum

Reverse Polarity Protection: -36VDC

Overvoltage Protection: +36VDC and above

Overcurrent Protection: 600mA @ 36VDA maximum

Connector: AMP 1-770968-1

Operating Temperature: -40°F to 185°F (-40°C to +85°C)

Storage Temperature: -40°F to 221°F (40°C to +105°C)

Random Vibration: 5-2,000 Hz

Operating Shock: 50G

Certification: CE

Case Material: Polyamide


Dimensions: 2"x2"x.75"

Mounting Hole Dimensions: Two #8 screws, 1.625" offset

How to Order

P/N 78-70-0383 - PVS-5 Power Supply

Accessories

Model	Wiring harness Rendering	Wiring Harness Designation Schematic	Part Number
PVWM-J PVM Gage Harness		<p>PVWM - J - 9</p> <p>PowerView Jumper Harness</p> <p>Length: - 9 : 9 in. (229 mm) - 12 : 12 in. (305 mm) - 24 : 24 in. (607 mm)</p>	<p>78-00-0479</p> <p>78-00-0490</p> <p>78-00-0503</p>



美国Murphy仪表经销商

北京

信德迈科技(北京)有限公司 CNMEC Technology

地址：北京朝阳区胜古中路2号金基业大厦201室

邮编：100029

电话：010-8428 2935 13910962635

传真：010-8428 8762

主页：[//www.cnmec.com](http://www.cnmec.com)

电子邮件：sales@cnmec.biz

Warranty - A limited warranty on materials and workmanship is given with this FW Murphy product. A copy of the warranty may be viewed or printed by going to www.fwmurphy.com/support/warranty.htm