

PowerView™ Model PV25 Engine and Diagnostic Display



Features

- Tier 4/Stage IIIB/IV Compliant/Ready
- Compact J1939-compliant device for electronically controlled engines
- Displays up to 20 standard J1939 parameters
- Active and stored diagnostic trouble codes
- Simple installation with a rugged design
- Provides enhanced visual alarm indication using bright ALARM and SHUTDOWN LEDs

The PowerView 25 is an engine and diagnostic display in an economical and compact package. This J1939-compliant device provides electronic engine parameter data, is simple to install, and matches the PowerView line of rugged displays. The PV25 can be powered by 12 or 24 volt systems.

The following are some of the engine parameters the PV25 displays. PV25 can display these parameters in standard or metric units.

- Engine RPM
- Engine Hours
- Coolant Temperature
- Active Service Codes
- Engine Oil Pressure
- System Voltage
- IT4/Stage IIIB Parameters
- Stored Service Codes

The PV25 is equipped with two push buttons to quickly access a convenient menu. In addition, a back-lit graphic display and two LED's indicate Active-fault Alarm or Shutdown status.

Active and Stored Fault messages display the SPN (Suspect Parameter Number), FMI (Failure Mode Indicator) and the OC (Occurrence Count) using the SAE J1939 protocol.

Bezel Options

Two Bezel styles are available. One is low profile and both are constructed of ABS. Ordering information is on the reverse of this sheet.



Specifications

Operating Voltage: 6 VDC minimum to 36 VDC maximum

Power Supply Operating Current:

460mA max @ 12 VDC

810mA max @ 24 VDC

Reversed Polarity: Withstands reversed battery terminal polarity

Environmental

Operating Temperature: -40 to 70°C (-40° to 158°F)

Storage Temperature: -55 to 85°C (-67° to 185°F)

Sealing: IP68

CAN Bus: SAE J1938 compliant

Connectors

4-pin AMP "Mini-universal Mate-N-Lok Connector
AMP Plug: P/N 172338-1

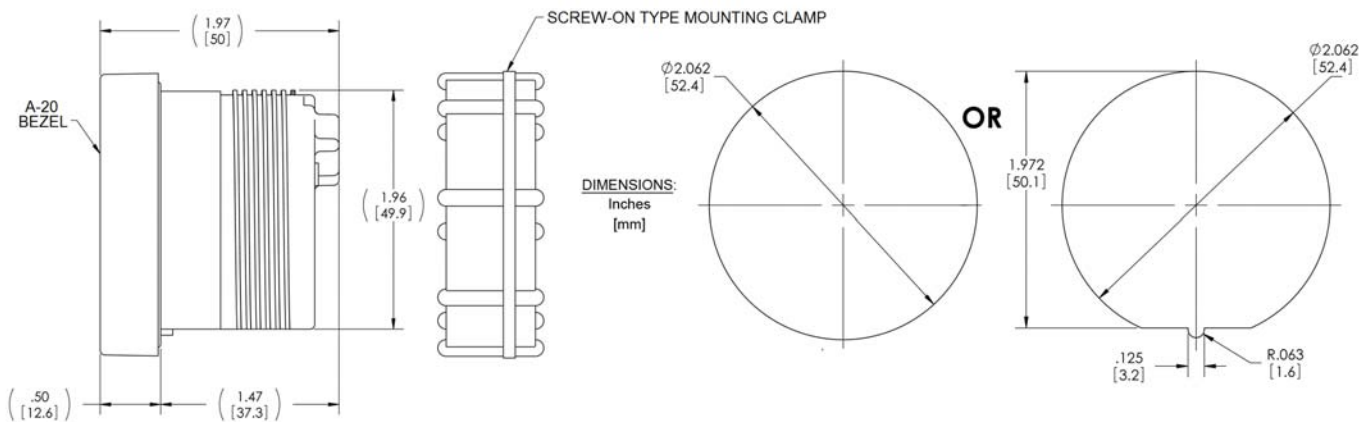
AMP Socket: P/N 171639-1 (4 each, assumes 18 gauge wire. See AMP Plug specification to match socket and wire size.)

Maximum Panel Thickness: 3/8 inch (9.6 mm)

Shipping Weight (all models): 0.2 lb. (0.1 kg)

Shipping Dimensions (all models): 3-7/8 x 2-3/4 x 2-3/4 in. (98.4 x 69.85 x 69.85 mm)

Product Dimensions and Mounting Options



How to Order

PV-25 - A

Bezel Type (flat lens)

AB = A20 (Black)

BB = Low profile SAE (Black)

Accessories

Wiring Harness PVW-PDA-12 PowerView 10 CAN & Power
(P/N 78-00-0613)

Wiring Harness PA-30View 10 Loose Wiring (P/N 78-00-0614)

Terminating Resistor, PVMJR (P/N 78-00-0480)

美国Murphy仪表经销商

北京

信德迈科技(北京)有限公司 CNMEC Technology

地址: 北京朝阳区胜古中路2号金基业大厦201室

邮编: 100029

电话: 010-8428 2935 13910962635

传真: 010-8428 8762

主页: //www.cnmec.com

电子邮件: sales@cnmec.biz